

EUROPOWER Generators Table of contents

Europower inverter generators	
Europower silenced INVERTER generators with Honda air-cooled gasoline engine, 50Hz.....	1
Honda	
Honda super-silenced INVERTER generators with air-cooled gasoline engine, 50Hz.....	1
Honda frame generators with air-cooled gasoline engine, 50Hz.....	1
Options for HONDA generators.....	1a
Honda water pumps with air-cooled gasoline engine.....	1b
Europower generators standard, air-cooled with gasoline engine	
with Honda and B&S gasoline engine, 3000rpm, 50Hz.....	2
EN1 and EN2 with Honda gasoline engine, 3000rpm, 50Hz.....	2a
Europower generators semi-silenced, air-cooled	
"long run" with Honda gasoline engine, 3000rpm, 50Hz.....	3
Europower generators standard, air-cooled with diesel engine	
with Hatz and Yanmar diesel engine, 3000rpm, 50Hz.....	4
Europower generators super-silenced	
with air-cooled engine, 3000rpm, 50Hz.....	5
Europower generators, water-cooled up to 44kVA	
open with Kubota diesel engine, 3000 or 1500rpm, 50Hz.....	6
super-silenced with Kubota diesel engine, 3000rpm, 50Hz.....	7
super-silenced with Kubota diesel engine, 1500rpm, 50Hz.....	8
rental silenced with Kubota diesel engine, 3000rpm, 50Hz.....	8
rental silenced with Kubota diesel engine, 1500rpm, 50Hz.....	8
rental ultra-silenced with Kubota diesel engine, 1500rpm, 50Hz.....	8
Europower generators, water-cooled from 60kVA	
open 60kVA with Iveco diesel engine, Stage IIIA, 1500rpm, 50Hz.....	9
open from 85 up to 250kVA with Volvo diesel engine, Stage IIIA, 1500rpm, 50Hz.....	9
open 60kVA with Iveco diesel engine, Stage II, 1500rpm, 50Hz.....	9a
open from 85 up to 600kVA with Volvo diesel engine, Stage II, 1500rpm, 50Hz.....	9a
silenced 60kVA with Iveco diesel engine, Stage IIIA, 1500rpm, 50Hz.....	10
silenced from 85 up to 250kVA with Volvo diesel engine, Stage IIIA, 1500rpm, 50Hz.....	10
silenced 60kVA with Iveco diesel engine, Stage II, 1500rpm, 50Hz.....	10a
silenced from 85 up to 600kVA with Volvo diesel engine, Stage II, 1500rpm, 50Hz.....	10a
rental 60kVA with Iveco diesel engine, Stage IIIA, 1500rpm, 50Hz.....	11
rental from 85 up to 250kVA with Volvo diesel engine, Stage IIIA, 1500rpm, 50Hz.....	11
rental ultra-silenced from 130 up to 180kVA with Volvo diesel engine, Stage IIIA, 1500rpm, 50Hz.....	11
rental 60kVA with Iveco diesel engine, Stage II, 1500rpm, 50Hz.....	11a
rental from 85 up to 250kVA with Volvo diesel engine, Stage II, 1500rpm, 50Hz.....	11a
Europower welders	
welders with gasoline and diesel engine, 3000rpm, 50Hz.....	12
standard, EN1 and EN2 welders with Honda air-cooled gasoline engine, 3000rpm, 50Hz.....	12a
Options	
for air-cooled generators 3000rpm.....	13
for generators with water-cooled Kubota engine.....	14
for EP open generators with water-cooled Iveco / Volvo engine.....	15
for EPS silenced generators with water-cooled Iveco / Volvo engine.....	16
for EPSR silenced rental generators with water-cooled Iveco / Volvo engine.....	17
Specials	
Combinations with Automatic Start/Stop Systems: in case of mains failure (ASSS) or on external contact (PDM1/DSE3110).....	18
Europower generators with asynchronous Soga or synchronous Soga/GTS alternator, IP54 protection, 3000rpm, 50Hz.....	19a
Europower 60Hz generators, 3600rpm	19a
Europower generators according to "BG BAU", with synchronous SOGA or GTS alternator, protection IP54 , with insulation protection according to "GW308", 300 19b	
Europower generators according to DIN14685 with synchronous brushless alternator, AVR, IP54 , 3000rpm, 50Hz.....	20
P.T.O. three-phase tractor alternators IP23.....	21
P.T.O. three-phase tractor alternators IP44.....	22
Bunded Fuel Tanks - IBC's, with VlareM/KIWA/UN/ADR/RID/IMDG approval.....	23
Legend	24

Europower **silenced INVERTER** generating sets with Honda **air-cooled gasoline** engines, 50Hz, 4 stroke

Article code	TYPE	Price in EURO (ex. VAT)	kVA max.	kVA cont.	Amp.		Engine HONDA (EU Stage)	HP max.	kW max.	cm³	Tank (l)	Cons. @75% load (l/h)	Autonomy @75% load (h)	Version	Dimensions (cm)	kg	dB(A) @ 7m	LWA
					1 ~ 230V	12V DC												
960000101	EPSi1000	795 (Sa)	1	0.9	3.9	8.3	GXH50 (TE)	2.2	1.6	49	3.8	0.5	7.6	A0-AVR-DC12-DS-FPm-O-P-R-TM	47x27x38	14	64	89
960000200	EPSi2000	985 (Sa)	1.7	1.5	6.5	8.3	GX100 (TE)	2.9	2.1	98	7.7	1.1	7	A-AVR-DC12-FPm-O-P-R-TM	56x34x42	22	68	93

Version Square wave inverter generators.
Both types have 12V DC plugs, protection against overcharge and short circuit, oil guard and recoil starter.
The EPSi1000 has 1 socket 230V - 16A. The EPSi2000 has 2 sockets 230V - 16A.
Moreover, the EPSi1000 has a DUAL SPEED economy switch (DS).

Honda **super-silenced INVERTER** generating sets with air-cooled gasoline engine, 50Hz, 4 stroke

Article code	TYPE	Price in EURO (ex. VAT)	kVA max.	kVA cont.	Amp.		Engine HONDA (EU Stage)	HP max.	kW max.	cm³	Tank (l)	Cons. @75% load (l/h)	Autonomy @75% load (h)	Version	Dimensions (cm)	kg	dB(A) @ 7m	LWA
					1 ~ 230V	12V DC												
999000601	EU10i	909	1	0.9	3.9	8.3	GXH50 (V)	2.2	1.6	49	2.1	0.6	3.5	A0-AVR-DC12-O-P-R-TM	45x24x38	13	62	87
999000622	EU22i	1363	2.2	1.8	7.8	8.3	GXR120 (V)	3.1	2.3	121	3.6	0.9	4	A-AVR-DC12-O-P-R-TM	52x29x43	21	65	90
999000612	EU30i	2339	3	2.6	11.3	8.3	GX160 (V)	5.6	4.1	163	5.8	1.3	4.5	A-AVR-DC12-O-P-R-TM	63x38x49	35	66	91
999000605	EU30is	2760	3	2.8	12.2	11.7	GX200 (V)	5.6	4.1	196	13.3	1.4	9.5	A-AVR-DC12-E1-O-R-TM	67x48x57	61	66	91
999000619	EU70is	5016	7	5.5	24	-	GX390 (V)	11.1	8.2	389	19.2	2.5	7.7	A9-AC-AVR-E1-FG-h-O-R-TM	85x70x73	119	66	91

Version All types have a 12V DC plug (except EU70is), thermal protection against overcharge, oil guard and recoil starter.
The EU10i has 1 socket 230V - 16A, the EU22i and EU30i(s) have 2 sockets 230V - 16A.
The EU70is has 2 sockets 230V - 16A + 1 CEE socket 230V - 16A.
Moreover, the EU10i, EU22i, EU30i(s) and EU70is have an automatic engine speed regulation dependent on the charge.
Parallel operation is possible for the EU10i, EU22i, EU30i(s) with an optional parallel cable.
The EU30is has 4 wheels and a handle.
The EU30i and EU70is have a folding handle and 2 wheels.

Honda **frame generating sets** with air-cooled gasoline engine, 50Hz, 4 stroke

Article code	TYPE	Price in EURO (ex. VAT)	kVA max.	kVA cont.	Amp.		Engine HONDA (EU Stage)	HP max.	kW max.	cm³	Tank (l)	Cons. @75% load (l/h)	Autonomy @75% load (h)	Version	Dimensions (cm)	kg	dB(A) @ 7m	LWA
					1 ~ 230V	12V DC												
999000603	EM30	1669	3	2.6	11.3	11.7	GX200 (V)	5.2	3.8	196	9.7	1.4	6.9	A-DC12-F-FG-O-R	45x41x48	32	71	96
999000618	EG3600	1314	3.6	3.2	13.9	-	GX270 (V)	7.9	5.8	270	24	2	12	A-AVR-F-FG-O-R	68x53x57	68	71	96
999000615	EG4500	1479	4.5	4	17	-	GX390 (V)	11.1	8.2	389	24	2.5	9.6	A-AVR-F-FG-O-R	68x53x57	80	72	97
999000616	EG5500	1644	5.5	5	22	-	GX390 (V)	11.1	8.2	389	24	2.5	9.6	A-AVR-F-FG-O-R	68x53x57	83	72	97
999000613	EM5500CXS	2810	5.5	5	22	-	iGX390 (V)	11.1	8.2	389	23.5	2.5	9.4	A8-AIS-AVR-E1-F-FG-O-R	88x53x55	97	72	97

Version EM30 = Cycloconverter generator
A8 = 2 sockets 230V - 16A + 1 socket CEE 230V - 16A + 1 socket CEE 230V - 32A

OPTIONS FOR HONDA GENERATING SETS		Price in EURO (ex. VAT)
Nr.	Description	
	HEP0 Automatic Start/Stop System AT207 in case of mains failure (up to 9kVA 230V) for EU70is, supplied in TN-S earthing system, including earth leakage protection and thermal magnetic protection, with 3 meter cable	1180
	HEP1 Automatic Start/Stop System via external contact for EU70is, with 3 meter cable	390
	HEP1a Battery controller unit 12V (FLIP-FLOP)	575
	H2 Battery charge cable for EU10i, EU22i, EU30i, EU30is, EM30	19
	H3 Hour counter (all models)	65
	HEP4 Insulation protection "IB-Protector" 230V	on request
	HEP4a Insulation protection Bender IR423-D43-2 on EU30i	770
NEW	HEP4b Insulation protection Bender IR423-D43-2 on EU30is	770
	H5 Parallel cable for EU10i	34
	H6 Parallel cable for EU22i	228
	H7a Parallel cable for EU30i and EU30is	250
	H7b Parallel cable for EU70i	1128
	H8 Remote start 10m for EM5500CXS	269
	H9 Remote start 30m for EM5500CXS	323
	H10 Remote start 10m for EU70is	359
	H11 Remote start 30m for EU70is	478
	HEP12 Remote start wireless for EU70is	535
	HEP13a LPG / propane version for EU30is (regulator included)	985
	HEP13b LPG / propane / gasoline version for EU70is (regulator included)	985
	H14 2-wheel kit for EG3600/EG4500/EG5500/EM5500	174
	H15 4-wheel kit for EG3600/EG4500/EG5500/EM5500	281

Honda water pumps with air-cooled gasoline engine, 4 stroke

Article code	TYPE	Price in EURO (ex. VAT)	Max (l/min)	Inlet/ outlet diameter (inch)	Pressure (bar)	Total head (m)	Max. particle size (mm)	Suction head (m)	Engine HONDA (EU Stage)	HP max.	kW max.	cm³	Tank (l)	Cons. @ 75% load (l/h)	Auto-nomy @ 75% load (h)	Version	Dimensions (cm)	kg	LWA
926900025	WX10	413	140	1	3.6	36	5.7	8	GX25 (V)	1	0.7	25	0.47	0.36	1.3	Clean water pump	33x22x30	6.5	102
926900026	WX15	504	240	1.5	4	40	5.7	8	GXH50 (V)	2.2	1.6	49	1	0.67	1.5	Clean water pump	33x28x38	9	103
926900027	WB20XT	586	600	2	3.2	32	6	8	GX120 (V)	3.1	2.3	118	1.9	1	2	Clean water pump	46x37x42	21	101
926900029	WB30XT	719	1100	3	2.8	23	6	8	GX160 (V)	4.4	3.2	163	3.1	1.4	2.5	Clean water pump	51x39x46	27	106
926900028	WH20X	909	500	2	5	50	3	8	GX160 (V)	4.4	3.2	163	3.1	1.4	2.5	High pressure pump	52x40x45	27	106
926900030	WT20X	1405	710	2	3	30	24	8	GX160 (V)	4.4	3.2	163	3.1	1.4	2.5	Trash water pump	62x46x47	47	106
926900031	WT30X	1801	1210	3	2.7	27	28	8	GX240 (V)	7.5	5.5	242	5.3	2.5	2.1	Trash water pump	66x50x52	60	110
926900032	WT40X	2562	1640	4	2.6	26	31	8	GX340 (V)	10.5	7.7	337	6.1	3	2	Trash water pump	74x54x57	78	110
926900033	WMP20X	958	833	2	3.2	32	5	8	GX160 (V)	4.4	3.2	163	3.1	1.4	2.2	Mutli-purpose pump salt water/chemicals	52x40x45	26	96

Version Engine speed WX10 and WX15 = 7000rpm, other types 3600rpm
 All engines have an oil guard except for the GX25 (WX10)

Europower **standard** generating sets with **air-cooled gasoline** engines, 3000rpm, 50Hz, 4 stroke**2,2 - 25kVA**

Article code	TYPE	Price in EURO (ex. VAT)	kVA max.	kVA cont.	Amp.		Engine (EU Stage)	HP max.	kW max.	cm ³	Tank (l)	Cons. @ 75% load (l/h)	Autonomy @ 75% load (h)	Version	Dimensions (cm)	kg	dB(A) @ 7m	LWA
		Alternator			1 - 230V	3 - 400V												
950000260	EP2500	595 (S)	2.2	2	8.7	-	Honda GX160 (V)	4.4	3.2	163	3.1	1	3.1	A-F-O-R-Th	58x42x44	37	70	95
950000261	EP2500E	1075 (S)	2.2	2	8.7	-	Honda GX160 (V)	4.4	3.2	163	3.1	1	3.1	A-E-F-O-R-Th	58x42x44	45	70	95
950000250	EP2500P	585 (S)	2.2	2	8.7	-	Honda GX160 (V)	4.4	3.2	163	3.1	1	3.1	A-O-P-R-Th	54x37x50	33	70	95
990000300	EP3300	660 (MA)	3	2.7	11.7	-	Honda GX200 (V)	5.2	3.8	196	3.1	1.3	2.4	A-F-O-R-Th	58x42x44	42	70	95
950000400	EP4100	940 (S)	4	3.6	16	-	Honda GX270 (V)	7.9	5.8	270	5.3	2	2.7	A-F-O-R-Th	77x51x56	60	71	96
950000401	EP4100E	1350 (S)	4	3.6	16	-	Honda GX270 (V)	7.9	5.8	270	5.3	2	2.7	A-E-F-O-R-Th	77x51x56	72	71	96
950000502	EP5000T	1195 (S)	5	4.5	16	6.5	Honda GX270 (V)	7.9	5.8	270	5.3	2	2.7	B-F-O-R-Th	83x51x56	72	71	96
950000600	EP6000	1260 (S)	6	5.4	23	-	Honda GX390 (V)	11.1	8.2	389	6.1	2.4	2.5	A-F-O-R-Th	83x51x56	75	72	97
950000601	EP6000E	1620 (S)	6	5.4	23	-	Honda GX390 (V)	11.1	8.2	389	6.1	2.4	2.5	A-E-F-O-R-Th	83x51x56	87	72	97
950000652	EP6500T	1430 (S)	7	6.5	17	9.4	Honda GX390 (V)	11.1	8.2	389	6.1	2.4	2.5	B-F-O-R-Th	83x51x56	82	72	97
950000653	EP6500TE	1790 (S)	7	6.5	17	9.4	Honda GX390 (V)	11.1	8.2	389	6.1	2.4	2.5	B-E-F-O-R-Th	83x51x56	94	72	97
950000700	EP7000	1330 (S)	7	6	26	-	Honda GX390 (V)	11.1	8.2	389	6.1	2.7	2.3	A7-F-O-R-Th	83x51x56	85	76	*
990001001	EP10000E	2795 (MA)	10	9	39	-	Honda GX630 (V)	19	14	688	20	4.2	4.8	A2-E-F-FPm-h-O-TM	102x55x60	146	75	*
957001002	EP10000T	2435 (S)	10	9	14.3	13	B&S Vanguard 305442 (V)	14	10.5	480	6.5	3.5	1.9	B-F-FPm-OP-R-TM	83x55x60	95	75	*
950001201	EP12000E	3195 (S)	12	10.8	47	-	Honda GX690 (V)	20	15	688	20	5	4	A2-AIS-E-F-FPm-h-O-TM	102x55x60	150	75	*
950001203	EP13500TE	2870 (S)	13.5	12	20	17	Honda GX630 (V)	19	14	688	20	4.2	4.8	B-E-F-FPm-h-O-TM	102x55x60	149	75	*
957001501	EP16000E	5575 (S)	16	14.5	63	-	B&S Vanguard 543477 (NE)	28	21	895	41	7	5.9	A5-E1-F-FG-FPm-h-LE-OP-TM-V	100x64x72	213	79	*
950001503	EP16000TE	3295 (S)	16	14.4	23	21	Honda GX690 (V)	20	15	688	20	5	4	B-AIS-E-F-FPm-h-O-TM	102x55x60	154	75	*
957001801	EP18000E	6540 (S)	18	16.2	70	-	B&S Vanguard 613477 (NE)	30	22	993	41	7.7	5.3	A5-E1-F-FG-FPm-h-LE-OP-TM-V	100x64x72	218	80	*
957002001	EP20000E	7920 (S)	20	18	78	-	B&S Vanguard EFI 37HP (V)	31	23	993	32	7.8	4.1	A5-AVR-DSE-E1-F-FLM-FP-h-Hz-LE-LFLS-OP-TM-V	100x64x72	226	80	*
957001803	EP20000TE	5475 (S)	20	18	26	26	B&S Vanguard 543477 (NE)	28	21	895	41	7	5.9	B4-E1-F-FG-FPm-h-LE-OP-TM-V	100x64x72	213	79	*
957002203	EP22000TE	6560 (S)	22	20	29	29	B&S Vanguard 613477 (NE)	30	22	993	41	7.7	5.3	B4-E1-F-FG-FPm-h-LE-OP-TM-V	100x64x72	218	80	*
957002503	EP25000TE	7975 (So)	24	22	32	32	B&S Vanguard EFI 37HP (V)	31	23	993	32	7.8	4.1	B4-AVR-DSE-E1-F-FLM-FP-h-Hz-LE-LFLS-OP-TM-V	100x64x72	217	80	*

Generators with * cannot be used outdoors in the EU. For applications of generating sets indoors, or if you want to integrate these generators in vehicles, please contact us.

Europower standard, EN1 and EN2 generating sets with Honda air-cooled gasoline engine, 3000rpm, 50Hz, 4 stroke

2,2 - 7 kVA

Article code	TYPE	Price in EURO (ex. VAT)	kVA max.	kVA cont.	Amp.		Engine HONDA (EU Stage)	HP max.	kW max.	cm ³	Tank (l)	Cons. @75% load (l/h)	Auto- nomy @75% load (h)	Version	Dimensions (cm)	kg	dB(A) @ 7m	LWA
		Alternator			1 ~ 230V	3 ~ 400V												
950000260	EP2500	595 (S)	2.2	2	8.7	-	GX160 (V)	4.4	3.2	163	3.1	1	3.1	A-F-O-R-Th	58x42x44	37	70	95
SA0950260	EP2500-EN1	525 (S)	2.2	2	8.7	-	GX160 (V)	4.4	3.2	163	3.1	1	3.1	A-F-O-R-Th	58x42x44	39	73	*
990000300	EP3300	660 (MA)	3	2.7	11.7	-	GX200 (V)	5.2	3.8	196	3.1	1.3	2.4	A-F-O-R-Th	58x42x44	42	70	95
SA0990300	EP3300-EN1	625 (MA)	3	2.7	11.7	-	GX200 (V)	5.2	3.8	196	3.1	1.3	2.4	A-F-O-R-Th	58x42x44	42	73	*
SA0990320	EP3300-EN2	- (MA)	3	2.7	11.7	-	GX200 (NE)	5.2	3.8	196	3.1	1.3	2.4	A-F-O-R-Th	58x42x44	42	73	**
950000400	EP4100	940 (S)	4	3.6	16	-	GX270 (V)	7.9	5.8	270	5.3	2	2.7	A-F-O-R-Th	77x51x56	60	71	96
SA0950398	EP4100-EN1	875 (S)	4	3.6	16	-	GX270 (V)	7.9	5.8	270	5.3	2	2.7	A-F-O-R-Th	77x51x56	60	74	*
SA0950400	EP4100-EN2	- (S)	4	3.6	16	-	GX270 (NE)	7.9	5.8	270	5.3	2	2.7	A-F-O-R-Th	77x51x56	60	74	**
950000502	EP5000T	1195 (S)	5	4.5	16	6.5	GX270 (V)	7.9	5.8	270	5.3	2	2.7	B-F-O-R-Th	83x51x56	72	71	96
SA0950492	EP5000T-EN1	1145 (S)	5	4.5	16	6.5	GX270 (V)	7.9	5.8	270	5.3	2	2.7	B-F-O-R-Th	83x51x56	72	74	*
SA0950502	EP5000T-EN2	- (S)	5	4.5	16	6.5	GX270 (NE)	7.9	5.8	270	5.3	2	2.7	B-F-O-R-Th	83x51x56	72	74	**
950000600	EP6000	1260 (S)	6	5.4	23	-	GX390 (V)	11.1	8.2	389	6.1	2.4	2.5	A-F-O-R-Th	83x51x56	75	72	97
SA0950590	EP6000-EN1	1130 (S)	6	5.4	23	-	GX390 (V)	11.1	8.2	389	6.1	2.4	2.5	A-F-O-R-Th	83x51x56	75	75	*
SA0950600	EP6000-EN2	- (S)	6	5.4	23	-	GX390 (NE)	11.1	8.2	389	6.1	2.4	2.5	A-F-O-R-Th	83x51x56	75	75	**
950000601	EP6000E	1620 (S)	6	5.4	23	-	GX390 (V)	11.1	8.2	389	6.1	2.4	2.5	A-E-F-O-R-Th	83x51x56	87	72	97
SA0950601	EP6000E-EN2	1410 (S)	6	5.4	23	-	GX390 (NE)	11.1	8.2	389	6.1	2.4	2.5	A-E-F-O-R-Th	83x51x56	88	75	**
950000652	EP6500T	1430 (S)	7	6.5	17	9.4	GX390 (V)	11.1	8.2	389	6.1	2.4	2.5	B-F-O-R-Th	83x51x56	82	72	97
SA0950642	EP6500T-EN1	1300 (S)	7	6.5	17	9.4	GX390 (V)	11.1	8.2	389	6.1	2.4	2.5	B-F-O-R-Th	83x51x56	80	75	*
SA0950652	EP6500T-EN2	- (S)	7	6.5	17	9.4	GX390 (NE)	11.1	8.2	389	6.1	2.4	2.5	B-F-O-R-Th	83x51x56	80	75	**
950000653	EP6500TE	1790 (S)	7	6.5	17	9.4	GX390 (V)	11.1	8.2	389	6.1	2.4	2.5	B-E-F-O-R-Th	83x51x56	94	72	97
SA0950653	EP6500TE-EN2	1580 (S)	7	6.5	17	9.4	GX390 (NE)	11.1	8.2	389	6.1	2.4	2.5	B-E-F-O-R-Th	83x51x56	90	75	**
SA0950700	EP7000-EN2	- (S)	7	6	26	-	GX390 (NE)	11.1	8.2	389	6.1	2.7	2.3	A7-F-O-R-Th	83x51x56	85	76	**

LWA All generators with LWA value are compliant with all CE-regulations (machine directive, EMC directive, low tension directive, CE-noise level directive 2000/14/EC, European exhaust gas regulation Stage 5). They can be used outdoors in the E.U.

* = Generators compliant with all CE-regulations, except the CE-noise level directive 2000/14/EC.
Generators cannot be used outdoors in the E.U.
For applications of generating sets indoors, or if you want to integrate these generating sets in vehicles, please contact us.

** = Generators not compliant with CE-noise level directive 2000/14/EC and not compliant with European exhaust gas regulation Stage 5.

Europower **semi-silenced long run** generating sets with Honda **air-cooled gasoline** engines, 3000rpm, 50Hz, 4 stroke**3 - 15kVA**

Article code	TYPE	Price in EURO (ex. VAT)	kVA max.	kVA cont.	Amp.		Engine HONDA (EU Stage)	HP max.	kW max.	cm ³	Tank (l)	Cons. @75% load (l/h)	Auto- nomy @75% load (h)	Version	Dimensions (cm)	kg	dB(A) @ 7m	LWA
		Alternator			1 ~ 230V	3 ~ 400V												
990000305	EP3300-11	880 (MA)	3	2.7	11.7	-	GX200 (V)	5.2	3.8	196	11	1.3	8.5	A-F-FG-O-R-Th	58x42x50	50	66	91
950000404	EP4100LN	1140 (S)	4	3.6	16	-	GX270 (V)	7.9	5.8	270	25	2	12.5	A-AC-F-FG-O-R-Th	75x60x59	78	70	95
950000408	EP4100-25	1350 (S)	4	3.6	16	-	GX270 (V)	7.9	5.8	270	25	2	12.5	A-AC-F-FG-h-O-R-TM-V	75x60x59	79	70	95
950000604	EP6000LN	1460 (S)	6	5.4	23	-	GX390 (V)	11.1	8.2	389	25	2.4	10.4	A-AC-F-FG-O-R-Th	75x60x59	91	71	96
950000605	EP6000-25	1625 (S)	6	5.4	23	-	GX390 (V)	11.1	8.2	389	25	2.4	10.4	A-AC-F-FG-h-O-R-TM-V	75x60x59	92	71	96
950000609	EP6000E-25	1905 (S)	6	5.4	23	-	GX390 (V)	11.1	8.2	389	25	2.4	10.4	A-AC-E-F-FG-h-O-R-TM-V	75x60x59	97	71	96
950000654	EP6500TLN	1660 (S)	7	6.5	17	9.4	GX390 (V)	11.1	8.2	389	25	2.4	10.4	B-AC-F-FG-O-R-Th	80x58x63	96	71	96
950000658	EP6500T-25	1860 (S)	7	6.5	17	9.4	GX390 (V)	11.1	8.2	389	25	2.4	10.4	B-AC-F-FG-h-O-R-TM-V	80x58x63	97	71	96
950000659	EP6500TE-25	2155 (S)	7	6.5	17	9.4	GX390 (V)	11.1	8.2	389	25	2.4	10.4	B-AC-E-F-FG-h-O-R-TM-V	80x58x63	104	71	96
950001007	EPG10000E	3995 (S)	10	8	35	-	GX630 (V)	19	14	688	20	4.2	4.8	A2-E-F-FPm-h-O-TM	88x64x70	180	72	97
950001207	EPG12000E	4495 (S)	12	10	43	-	GX690 (V)	20	15	688	20	5	4	A2-E-F-FPm-h-O-TM	88x64x70	184	71	96
950001208	EPG12000TE	4080 (S)	12	10	16	14.4	GX630 (V)	19	14	688	20	4.2	4.8	B-E-F-FPm-h-O-TM	88x64x70	183	72	97
950001508	EPG15000TE	4595 (S)	15	12.5	16	18	GX690 (V)	20	15	688	20	5	4	B-E-F-FPm-h-O-TM	88x64x70	188	71	96

Europower **standard** generating sets with **air-cooled diesel** engines, 3000rpm, 50Hz, 4 stroke**2,6 - 10kVA**

Article code	TYPE	Price in EURO (ex. VAT)	kVA max.	kVA cont.	Amp.		Engine (EU Stage)	HP max.	kW max.	cm ³	Tank (l)	Cons. @ 75% load (l/h)	Autonomy @ 75% load (h)	Version	Dimensions (cm)	kg	dB(A) @ 7m	LWA
		Alternator			1 ~ 230V	3 ~ 400V												
993010280	EP2800D	1495 (MA)	2.6	2.3	10	-	Yanmar L48N (NE)	4.2	3.1	219	2.4	0.7	3.4	A-F-FG-R-Th	77x51x56	54	78	*
993010281	EP2800DE	1940 (MA)	2.6	2.3	10	-	Yanmar L48N (NE)	4.2	3.1	219	2.4	0.7	3.4	A-E-F-FG-OL-R-Th	77x51x56	68	78	*
995010300	EP3000D	1870 (MA)	2.8	2.5	10.9	-	Hatz 1B20-4 (V)	4.2	3.1	232	3.2	0.7	4.6	A-F-R-Th	67x51x56	58	78	*
995010301	EP3000DE	2465 (MA)	2.8	2.5	10.9	-	Hatz 1B20-4 (V)	4.2	3.1	232	3.2	0.7	4.6	A-E-F-OL-R-Th	67x51x56	72	78	*
953010400	EP4000D	1680 (S)	3.6	3.3	14.3	-	Yanmar L70V (V)	6	4.4	320	3.3	1.3	2.5	A-F-FG-R-Th	77x51x56	70	80	*
953010401	EP4000DE	2045 (S)	3.6	3.3	14.3	-	Yanmar L70V (V)	6	4.4	320	3.3	1.3	2.5	A-E-F-FG-OL-R-Th	77x51x56	82	80	*
955010350	EP4200D	2185 (S)	4.2	3.7	16	-	Hatz 1B30-4 (V)	6.8	5	347	4.6	1.3	3.5	A-F-R-Th	77x51x56	74	80	*
955010351	EP4200DE	2780 (S)	4.2	3.7	16	-	Hatz 1B30-4 (V)	6.8	5	347	4.6	1.3	3.5	A-E-F-OL-R-Th	77x51x56	82	80	*
955010502	EP5000TD	2390 (S)	5	4.5	16	6.5	Hatz 1B30-4 (V)	6.8	5	347	4.6	1.3	3.5	B-F-R-Th	83x51x56	82	80	*
955010503	EP5000TDE	2985 (S)	5	4.5	16	6.5	Hatz 1B30-4 (V)	6.8	5	347	4.6	1.3	3.5	B-E-F-OL-R-Th	83x51x56	94	80	*
953010600	EP6000D	2055 (S)	5.2	4.7	20	-	Yanmar L100V (V)	8.6	6.3	435	5.4	1.8	3	A-F-FG-R-Th	83x51x56	95	83	*
953010601	EP6000DE	2450 (S)	5.2	4.7	20	-	Yanmar L100V (V)	8.6	6.3	435	5.4	1.8	3	A-E-F-FG-OL-R-Th	83x51x56	110	83	*
955010600	EP6000D	2690 (S)	6	5.4	23	-	Hatz 1B40U-4 (V)	9.7	7.1	462	5	1.9	2.6	A-F-R-Th	83x51x56	95	83	*
955010601	EP6000DE	3285 (S)	6	5.4	23	-	Hatz 1B40U-4 (V)	9.7	7.1	462	5	1.9	2.6	A-E-F-OL-R-Th	83x51x56	110	83	*
953010602	EP6000TD	2205 (S)	6	5.5	17	7.9	Yanmar L100V (V)	8.6	6.3	435	5.4	1.8	3	B-F-FG-R-Th	83x51x56	97	83	*
953010603	EP6000TDE	2610 (S)	6	5.5	17	7.9	Yanmar L100V (V)	8.6	6.3	435	5.4	1.8	3	B-E-F-FG-OL-R-Th	83x51x56	110	83	*
955010702	EP7000TD	2855 (S)	7	6.5	17	9.4	Hatz 1B40U-4 (V)	9.7	7.1	462	5	1.9	2.6	B-F-R-Th	83x51x56	95	83	*
955010703	EP7000TDE	3450 (S)	7	6.5	17	9.4	Hatz 1B40U-4 (V)	9.7	7.1	462	5	1.9	2.6	B-E-F-OL-R-Th	83x51x56	110	83	*
995010911	EPSP9000DE	6155 (MA)	8.5	7.7	33	-	Hatz 1D81C (V)	13	9.6	667	25	3	8.3	A7-E1-F-FPm-h-MS-OP-TM-TP-V	100x64x70	245	74	*
955011013	EPSP10000TDE	6155 (S)	10	9	13	13	Hatz 1D81C (V)	13	9.6	667	25	3	8.3	B-E1-F-FPm-h-MS-OP-TM-TP-V	100x64x70	245	74	*

Generators with * cannot be used outdoors in the EU. For applications of generating sets indoors, or if you want to integrate these generators in vehicles, please contact us.

Europower **super-silenced** generating sets with **air-cooled** engines, 3000rpm, 50Hz, 4 stroke**2,5 - 15kVA**

Article code	TYPE	Price in EURO (ex. VAT)	kVA max.	kVA cont.	Amp.		Engine (EU Stage)	HP max.	kW max.	cm³	Tank (l)	Cons. @75% load (l/h)	Auto-nomy @75% load (h)	Version	Dimensions (cm)	Dimensions without tank (cm)	kg	dB(A) @ 7m	LWA	
		Alternator			1 ~ 230V	3 ~ 400V														
950000611	EPS6000E	3875 (S)	6	5.4	23	-	Honda GX390 (V)	11.1	8.2	389	20	2.4	8.3	A3-E-EC-FPm-h-O-TM-TP-V	110x56x56	92x56x56	150	62	87	Gasoline
950000663	EPS6500TE	3980 (S)	7	6.5	17	9.4	Honda GX390 (V)	11.1	8.2	389	20	2.4	8.3	B3-E-EC-FPm-h-O-TM-TP-V	110x56x56	92x56x56	150	62	87	
990001011	EPS10000E	4495 (MA)	10	8	35	-	Honda GX630 (V)	19	14	688	20	4.2	4.8	A3-E-EC-FPm-h-O-TM-TP-V	127x64x57	109x64x57	200	66	91	
950001211	EPS12000E	5485 (S)	12	10	43	-	Honda GX690 (V)	20	15	688	20	5	4	A4-E-EC-FPm-h-O-TM-TP-V	127x75x59	109x75x59	220	69	94	
990001213	EPS12000TE	4750 (MA)	12	10	16	14.4	Honda GX630 (V)	19	14	688	20	4.2	4.8	B3-E-EC-FPm-h-O-TM-TP-V	127x64x57	109x64x57	204	66	91	
950001513	EPS15000TE	5595 (S)	15	12.5	23	18	Honda GX690 (V)	20	15	688	20	5	4	B6-E-EC-FPm-h-O-TM-TP-V	127x75x59	109x75x59	224	69	94	
995010261	EPS2500DE	4790 (MA)	2.5	2.2	9.6	-	Hatz 1B20-4 (V)	4.2	3.1	232	10	0.7	14.3	A0-E-FP-h-MS-OP-TM-TP-V	94x52x45	81x52x45	125	62	87	Diesel
951010361	EPS3500DE	4695 (S)	3	2.7	11.7	-	Kubota OC60 (NE)	5.4	4	276	20	1.2	16.7	A1-E-FP-h-MS-OP-TM-TP-V	110x56x56	92x56x56	155	65	90	
953010511	EPS5500DE	4810 (S)	5	4.5	20	-	Yanmar L100V (V)	8.6	6.3	435	20	1.9	10.5	A3-E-ES-FP-h-MS-OP-TM-TP-V	127x64x62	109x64x62	200	66	91	
955010611	EPS6000DE	5440 (S)	5.5	5	22	-	Hatz 1B40U-4 (V)	9.7	7.1	462	20	1.9	10.5	A3-E-ES-FP-h-MS-OP-TM-TP-V	127x64x62	109x64x62	200	66	91	
953010613	EPS6000TDE	4945 (S)	5.5	5	17	7.2	Yanmar L100V (V)	8.6	6.3	435	20	1.9	10.5	B3-E-ES-FP-h-MS-OP-TM-TP-V	127x64x62	109x64x62	200	66	91	
955010713	EPS7000TDE	5625 (S)	7	6.5	17	9.4	Hatz 1B40U-4 (V)	9.7	7.1	462	20	1.9	10.5	B3-E-ES-FP-h-MS-OP-TM-TP-V	127x64x62	109x64x62	200	66	91	

Europower open generating sets with Kubota water-cooled diesel engines, 3000 or 1500rpm, 50Hz, 4 stroke ()

7 - 44kVA

Article code	TYPE	Price in EURO (ex. VAT)	kVA max.	kVA cont.	Amp.		Engine KUBOTA (EU Stage)	Cil.	kW max.	cm³	Tank (l)	Cons. @ 75% load (l/h)	Auto-nomy @ 75% load (h)	Version	Dimensions (cm)	kg	dB(A) @ 7m	LWA
		Alternator			1 ~ 230V	3 ~ 400V												
951010601	EP73DE	5265 (S)	6	5.4	23	-	Z482 (V)	2	8.3	479	47	1.8	26.1	A2-E1-ES-FG-FI4-FP-h-MS-ODP-OP-TM-TP-V	105x64x79	190	78	*
951010653	EP83TDE	5355 (S)	8	7	14.3	10.1	Z482 (V)	2	8.3	479	47	1.8	26.1	B-E1-ES-FG-FI4-FP-h-MS-ODP-OP-TM-TP-V	105x64x79	190	78	*
991010801	EP103DE	5695 (MA)	9.5	8.5	37	-	D722 (V)	3	12	719	50	2.5	20	A2-E1-ES-FG-FI4-FP-h-MS-ODP-OP-TM-TP-V	115x64x83	260	80	*
951011003	EP113TDE	5705 (S)	11	10	14.3	14.4	D722 (V)	3	12	719	50	2.5	20	B7-E1-ES-FG-FI4-FP-h-MS-ODP-OP-TM-TP-V	115x64x83	260	80	*
951011201	EP123DE	6145 (S)	12	11	48	-	D902 (V)	3	15	898	50	3.3	15.2	A2-E1-ES-FG-FI4-FP-h-MS-ODP-OP-TM-TP-V	115x64x83	265	81	*
951011303	EP133TDE	6170 (S)	13.5	12	20	17	D902 (V)	3	15	898	50	3.3	15.2	B7-E1-ES-FG-FI4-FP-h-MS-ODP-OP-TM-TP-V	115x64x83	265	81	*
951011601	EP163DE	6975 (S)	14.5	13.2	57	-	D1105 (V)	3	19	1123	55	3.9	14.1	A5-E1-ES-FG-FI4-FP-h-MS-ODP-OP-TM-TP-V	130x64x86	330	81	*
991011803	EP183TDE	7125 (MA)	18	17	27	25	D1105 (V)	3	19	1123	55	3.9	14.1	B4-AVR-E1-ES-FG-FI4-FP-h-MS-ODP-OP-T+-TM-TP-V	130x64x86	320	81	*
951011901	EP193DE	8125 (S)	17.8	16.2	70	-	V1505 (TE IIIA)	4	27	1498	65	5	13	A5-E1-ES-FG-FI4-FP-h-MS-ODP-OP-TM-TP-V	150x74x86	370	83	*
991012403	EP243TDE	8310 (MA)	24	23	35	33	V1505 (TE IIIA)	4	27	1498	65	5	13	B4-AVR-E1-ES-FG-FI4-FP-h-MS-ODP-OP-T+-TM-TP-V	150x74x86	360	83	*
951110903	EP8DE	6590 (S)	7.5	7	30	-	D1105 (V)	3	10.3	1123	55	1.9	28.9	A7-AVR-ES-FG-FI4-ODP-Y	130x64x86	305	70	95
991110903	EP9TDE	7020 (MA)	9	8.5	12.2	12.3	D1105 (V)	3	10.3	1123	55	1.9	28.9	B7-AVR-ES-FG-FI4-ODP-T+Y	130x64x86	320	70	95
951111101	EP11DE	8335 (S)	11	10	43	-	D1703M (V)	3	15	1647	65	2.6	25	A5-AVR-Erpm-ES-FG-FI4-ODP-OL-Y	150x74x91	395	73	*
981111403	EP14TDE	8655 (LS)	14	13	19	19	D1703M (V)	3	15	1647	65	2.6	25	B6-AVR-Erpm-ES-FG-FI4-LS2-ODP-OL-Y	150x74x91	410	73	*
991111403	EP14TDE	8550 (MA)	14	13	19	19	D1703M (V)	3	15	1647	65	2.6	25	B6-AVR-Erpm-ES-FG-FI4-ODP-OL-T+Y	150x74x91	410	73	*
951111801	EP18DE	9955 (S)	18	16	70	-	V2203M (V)	4	20	2197	68	3.7	18.4	A5-AVR-Erpm-ES-FG-FI4-ODP-OL-Y	160x74x94	470	75	*
981112003	EP20TDE	9680 (LS)	19	18	29	26	V2203M (V)	4	20	2197	68	3.7	18.4	B4-AVR-Erpm-ES-FG-FI4-LS2-ODP-OL-Y	160x74x94	465	75	*
991112003	EP20TDE	9855 (MA)	19	18	29	26	V2203M (V)	4	20	2197	68	3.7	18.4	B4-AVR-Erpm-ES-FG-FI4-ODP-OL-T+Y	160x74x94	465	75	*
991113001	EP30DE	14390 (MA)	30	28	122	-	V3800DIT (TE IIIA)	4	42	3769	76	7.7	9.9	A5-Amp1-AVR-DSE-Erpm-ES-FG-FI4-Hz-ODP-OL-PAI-T+-WS-Y	160x96x105	695	79	*
981113403	EP34TDE	12025 (LS)	33	30	43	43	V3300 (TE IIIA)	4	28	3318	76	6.1	12.5	B12-Amp3-AREP-AVR-DSE-ES-FG-FI4-Hz-LS2-ODP-OL-WS-Y	160x96x105	623	77	*
991113403	EP34TDE	11845 (MA)	33	30	43	43	V3300 (TE IIIA)	4	28	3318	76	6.1	12.5	B12-Amp3-AVR-DSE-ES-FG-FI4-Hz-ODP-OL-T+-WS-Y	160x96x105	652	77	*
981114403	EP44TDE	14440 (LS)	44	40	61	58	V3800DIT (TE IIIA)	4	42	3769	76	7.7	9.9	B12-Amp3-AREP-AVR-DSE-Erpm-ES-FG-FI4-Hz-LS2-ODP-OL-PAI-WS-Y	160x96x105	640	79	*
991114403	EP44TDE	14470 (MA)	44	40	61	58	V3800DIT (TE IIIA)	4	42	3769	76	7.7	9.9	B12-Amp3-AVR-DSE-Erpm-ES-FG-FI4-Hz-ODP-OL-PAI-T+-WS-Y	160x96x105	725	79	*

Generators with * cannot be used outdoors in the EU. For applications of generating sets indoors, or if you want to integrate these generators in vehicles, please contact us.

Europower **super-silenced** generating sets with **Kubota water-cooled diesel** engines, 3000rpm, 50Hz, 4 stroke**6 - 33kVA**

Article code	TYPE	Price in EURO (ex. VAT)	kVA max.	kVA cont.	Amp.		Alternator (IP23)	Engine KUBOTA (EU Stage)	Cil.	kW max.	cm ³	Tank (l)	Cons. @ 75% load (l/h)	Auto- nomy @ 75% load (h)	Version	Dimensions (cm)	kg	dB(A) @ 7m	LWA
		Alternator			1 – 230V	3 – 400V													
951010711	New Boy EPS73DE	5995 (S)	6	5.4	23	-	EK2LCT	Z482 (V)	2	8.3	479	23	1.8	12.8	A3-E1-ES-FG-FI4-FP-h-LE-MS-ODP-OP-TM-TP-V	123x64x68	295	62	87
951010813	New Boy EPS83TDE	6115 (S)	8	7	14.3	10.1	ET2LBS	Z482 (V)	2	8.3	479	23	1.8	12.8	B3-E1-ES-FG-FI4-FP-h-LE-MS-ODP-OP-TM-TP-V	123x64x68	295	62	87
991011011	New Boy EPS103DE	6390 (MA)	9.5	8.5	37	-	S20F-200/2A	D722 (V)	3	12	719	25	2.5	10	A3-E1-ES-FG-FI4-FP-h-LE-MS-ODP-OP-TM-TP-V	138x64x68	345	65	90
951011113	New Boy EPS113TDE	6485 (S)	11	10	14.3	14.4	ET2LBS	D722 (V)	3	12	719	25	2.5	10	B3-E1-ES-FG-FI4-FP-h-LE-MS-ODP-OP-TM-TP-V	138x64x68	345	65	90
951011311	New Boy EPS123DE	7015 (S)	12	11	48	-	FK2MFS	D902 (V)	3	15	898	25	3.3	7.6	A3-E1-ES-FG-FI4-FP-h-LE-MS-ODP-OP-TM-TP-V	138x64x68	360	71	96
951011413	New Boy EPS133TDE	7060 (S)	13.5	12	20	17	FT2MES	D902 (V)	3	15	898	25	3.3	7.6	B3-E1-ES-FG-FI4-FP-h-LE-MS-ODP-OP-TM-TP-V	138x64x68	360	71	96
951011611	EPS163DE	8250 (S)	14.5	13.2	57	-	GK2MBL	D1105 (V)	3	19	1123	63	3.9	16.2	A6-E1-ES-FG-FI4-FP-h-LE-MS-ODP-OP-TM-TP-V	150x64x90	455	68	93
991011813	EPS183TDE	8240 (MA)	18	17	27	25	ECP3-2L/2	D1105 (V)	3	19	1123	63	3.9	16.2	B5-AVR-E1-ES-FG-FI4-FP-h-LE-MS-ODP-OP-TM-TP-V	150x64x90	450	68	93
951011911	EPS193DE	9855 (S)	17.8	16.2	70	-	GK2MBL	V1505 (TE IIIA)	4	27	1498	73	5	14.6	A6-E1-ES-FG-FI4-FP-h-LE-MS-ODP-OP-TM-TP-V	170x74x100	545	69	94
991012413	EPS243TDE	9925 (MA)	24	23	35	33	ECP28-2L/2	V1505 (TE IIIA)	4	27	1498	73	5	14.6	B5-AVR-E1-ES-FG-FI4-FP-h-LE-MS-ODP-OP-TM-TP-V	170x74x100	572	69	94
991013313	EPS333TDE	12150 (MA)	33	30	43	43	ECP28-3L/2	V1505T (NE)	4	30	1498	73	6.5	11.2	B14-Amp3-AVR-DSE-E1-ES-FG-FI4-FP-h-LE-MS-ODP-OP-TM-TP-V	170x74x118	710	71	96

Europower **super-silenced** generating sets with **Kubota water-cooled diesel** engines, 1500rpm, 50Hz, 4 stroke

7.5 - 44kVA

Article code	TYPE	Price in EURO (ex. VAT)	kVA max.	kVA cont.	Amp.		Engine KUBOTA (EU Stage)	Cil.	kW max.	cm ³	Tank (l)	Cons. @75% load (l/h)	Auto-nomy @75% load (h)	Version	Dimensions (cm)	kg	dB(A) @7m	LWA
		Alternator			1 ~ 230V	3 ~ 400V												
991110311	EPS3DE	7390 (MA)	2.5	2.3	10	-	Z482 (V)	2	3.2	479	23	0.7	32.9	A11-Amp1-DSE-E1-Erpm-ES-FG-FI4-FP-h-LE-MS-ODP-OP-TM-TP-V	123x64x68	305	60	85
951110911	EPS8DE	7790 (S)	7.5	7	30	-	D1105 (V)	3	10.3	1123	63	1.9	33.2	A8-AVR-ES-FG-FI4-LE-ODP-Y	150x64x90	430	60	85
991110913	EPS9TDE	8140 (MA)	9	8.5	12.2	12.3	D1105 (V)	3	10.3	1123	63	1.9	33.2	B9-AVR-ES-FG-FI4-LE-ODP-T+Y	150x64x90	440	60	85
951111111	EPS11DE	9815 (S)	11	10	43	-	D1703M (V)	3	15	1647	73	2.6	28.1	A6-AVR-Erpm-ES-FG-FI4-LE-ODP-OL-Y	170x74x100	575	60	85
981111413	EPS14TDE	10110 (LS)	14	13	19	19	D1703M (V)	3	15	1647	73	2.6	28.1	B11-AVR-Erpm-ES-FG-FI4-LE-LS2-ODP-OL-Y	170x74x100	580	60	85
991111413	EPS14TDE	9960 (MA)	14	13	19	19	D1703M (V)	3	15	1647	73	2.6	28.1	B11-AVR-Erpm-ES-FG-FI4-LE-ODP-OL-T+Y	170x74x100	580	60	85
951111811	EPS18DE	11820 (S)	18	16	70	-	V2203M (V)	4	20	2197	80	3.7	21.6	A6-AVR-Erpm-ES-FG-FI4-LE-ODP-OL-Y	198x74x100	660	62	87
981112013	EPS20TDE	11270 (LS)	19	18	29	26	V2203M (V)	4	20	2197	80	3.7	21.6	B5-AVR-Erpm-ES-FG-FI4-LE-LS2-ODP-OL-Y	198x74x100	660	62	87
991112013	EPS20TDE	11430 (MA)	19	18	29	26	V2203M (V)	4	20	2197	80	3.7	21.6	B5-AVR-Erpm-ES-FG-FI4-LE-ODP-OL-T+Y	198x74x100	660	62	87
991113011	EPS30DE	16610 (MA)	30	28	122	-	V3800DIT (TE IIIA)	4	42	3769	90	7.7	11.7	A10-Amp1-AVR-DSE-Erpm-ES-FG-FI4-Hz-LE-ODP-OL-PAI-T+WS-Y	210x94x112	970	65	90
981113413	EPS34TDE	14170 (LS)	33	30	43	43	V3300 (TE IIIA)	4	28	3318	90	6	15	B14-Amp3-AREP-AVR-DSE-ES-FG-FI4-Hz-LE-LS2-ODP-OL-WS-Y	210x94x112	870	65	90
991113413	EPS34TDE	14080 (MA)	33	30	43	43	V3300 (TE IIIA)	4	28	3318	90	6	15	B14-Amp3-AVR-DSE-ES-FG-FI4-Hz-LE-ODP-OL-T+WS-Y	210x94x112	900	65	90
981114413	EPS44TDE	16485 (LS)	44	40	61	58	V3800DIT (TE IIIA)	4	42	3769	90	7.7	11.7	B14-Amp3-AREP-AVR-DSE-Erpm-ES-FG-FI4-Hz-LE-LS2-ODP-OL-PAI-WS-Y	210x94x112	925	65	90
991114413	EPS44TDE	16515 (MA)	44	40	61	58	V3800DIT (TE IIIA)	4	42	3769	90	7.7	11.7	B14-Amp3-AVR-DSE-Erpm-ES-FG-FI4-Hz-LE-ODP-OL-PAI-T+WS-Y	210x94x112	970	65	90

Europower **rental silenced** generating sets with **Kubota water-cooled diesel** engines, 3000rpm, 50Hz, 4 stroke

11kVA

Article code	TYPE	Price in EURO (ex. VAT)	kVA max.	kVA cont.	Amp.		Engine KUBOTA (EU Stage)	Cil.	kW max.	cm ³	Tank (l)	Cons. @75% load (l/h)	Auto-nomy @75% load (h)	Version	Dimensions (cm)	kg	dB(A) @7m	LWA
		Alternator			1 ~ 230V	3 ~ 400V												
991011023	EPSR11-3TDE	11960 (MA)	10.5	9.5	14.3	13.7	D722 (V)	3	12	719	86	2.5	34.4	B3-Amp3-AVR-BFT-CLS-DH-DSE-ES-FH-FI4-FLM-GALV-Hz-LE-LFLS2-ODP-OL-PI-T+TE-VS-WS-Y	150x76x117	525	62	87

Europower **rental silenced** generating sets with **Kubota water-cooled diesel** engines, Stage IIIA, 1500rpm, 50Hz, 4 stroke

20 - 44kVA

Article code	TYPE	Price in EURO (ex. VAT)	kVA max.	kVA cont.	Amp.		Engine KUBOTA (EU Stage)	Cil.	kW max.	cm ³	Tank (l)	Cons. @75% load (l/h)	Auto-nomy @75% load (h)	Version	Dimensions (cm)	kg	dB(A) @7m	LWA
		Alternator			1 ~ 230V	3 ~ 400V												
981112023	EPSR20TDE	15590 (LS)	19	18	29	26	V2203M (V)	4	20	2197	124	3.7	33.5	B5-Amp3-AVR-BFT-CLS-DH-DSE-Erpm-ES-FH-FI4-FLM-GALV-Hz-LE-LFLS2-LS2-ODP-OL-PI-T+TC-TE-VS-WS-Y	185x91x137	825	60	85
991112023	EPSR20TDE	15750 (MA)	19	18	29	26	V2203M (V)	4	20	2197	124	3.7	33.5	B5-Amp3-AVR-BFT-CLS-DH-DSE-Erpm-ES-FH-FI4-FLM-GALV-Hz-LE-LFLS2-ODP-OL-PI-T+TC-TE-VS-WS-Y	185x91x137	850	60	85
981113423	EPSR34TDE	17590 (LS)	33	30	43	43	V3300 (TE IIIA)	4	28	3318	263	6	43.8	B14-Amp3-AREP-AVR-BFT-CLS-DH-DSE-ES-FH-FI4-FLM-GALV-Hz-LE-LFLS2-LS2-ODP-OL-PI-T+TC-TE-VS-WS-Y	209x101x147	1160	65	90
991113423	EPSR34TDE	17500 (MA)	33	30	43	43	V3300 (TE IIIA)	4	28	3318	263	6	43.8	B14-Amp3-AVR-BFT-CLS-DH-DSE-ES-FH-FI4-FLM-GALV-Hz-LE-LFLS2-ODP-OL-PI-T+TC-TE-VS-WS-Y	209x101x147	1178	65	90
981114423	EPSR44TDE	19790 (LS)	44	40	61	58	V3800DIT (TE IIIA)	4	42	3769	263	7.7	34.2	B14-Amp3-AREP-AVR-BFT-CLS-DH-DSE-Erpm-ES-FH-FI4-FLM-GALV-Hz-LE-LFLS2-LS2-ODP-OL-PAI-PI-T+TC-TE-VS-WS-Y	209x101x147	1200	66	91
991114423	EPSR44TDE	19820 (MA)	44	40	61	58	V3800DIT (TE IIIA)	4	42	3769	263	7.7	34.2	B14-Amp3-AVR-BFT-CLS-DH-DSE-Erpm-ES-FH-FI4-FLM-GALV-Hz-LE-LFLS2-ODP-OL-PAI-PI-T+TC-TE-VS-WS-Y	209x101x147	1250	66	91

Europower **rental ultra-silenced** generating sets with **Kubota water-cooled diesel** engines, Stage IIIA, 1500rpm, 50Hz, 4 stroke

20 - 44kVA

Article code	TYPE	Price in EURO (ex. VAT)	kVA max.	kVA cont.	Amp.		Engine KUBOTA (EU Stage)	Cil.	kW max.	cm ³	Tank (l)	Cons. @75% load (l/h)	Auto-nomy @75% load (h)	Version	Dimensions (cm)	kg	dB(A) @7m	LWA
		Alternator			1 ~ 230V	3 ~ 400V												
981111433	EPUS14TDE	18245 (LS)	14	13	19	19	D1703M (V)	3	15	1647	263	2.6	101.2	B5-Amp3-AVR-BFT-CLS-DH-DSE-Erpm-ES-FH-FI4-FLM-GALV-Hz-LE-LFLS2-LS2-ODP-OL-PI-T+TC-TE-VS-WS-Y	209x101x147	970	54	79
981112033	EPUS20TDE	18730 (LS)	19	18	29	26	V2203M (V)	4	20	2197	263	3.7	71.1	B5-Amp3-AVR-BFT-CLS-DH-DSE-Erpm-ES-FH-FI4-FLM-GALV-Hz-LE-LFLS2-LS2-ODP-OL-PI-T+TC-TE-VS-WS-Y	209x101x147	1050	56	81
981114433	EPUS44TDE	25960 (LS)	44	40	61	58	V3800DIT (TE IIIA)	4	42	3769	524	7.7	68.1	B14-Amp3-AREP-AVR-BFT-CLS-DH-DSE-Erpm-ES-FH-FI4-FLM-GALV-Hz-LE-LFLS2-LS2-ODP-OL-PAI-PI-T+TC-TE-VS-WS-Y	285x110x206	1687	56	81

Europower **open** generating sets with **Iveco water-cooled diesel** engine, Stage IIIA, 1500rpm, 50Hz, 4 stroke

60kVA

Article code	TYPE	Price in EURO (ex. VAT)	kVA max. (50Hz)	kVA cont.	Amp.		Engine IVECO (EU Stage)	Cil.	Electronic speed governor	kW max.	cm³	Tank (l)	Cons. @ 75% load (l/h)	Auto-nomy @ 75% load (h)	Battery voltage (V)	Alternator	Version	Dimensions (cm)	kg	dB(A) @ 7m	LWA
		Alternator			1 ~ 230V	3 ~ 400V															
784106003	EP60TDE-3A	16315 (LS)	66	60	87	87	NEF N45SM1F (IIIA)	4	Option	60	4500	430	12.5	34.4	12	LSA42.3L9 AREP	Amp3-AREP-AVR-DSE-E1-ES-FFPM-FLM-h-Hz-LFLS2-LS2-M-MS-ODP-OP-TC-TE-TM-TP-V-WSFP	250x110x140	1015	84	*
794106003	EP60TDE-3A	16390 (MA)	66	60	87	87	NEF N45SM1F (IIIA)	4	Option	60	4500	430	12.5	34.4	12	ECP32-2M/4	Amp3-AVR-DSE-E1-ES-FFPM-FLM-h-Hz-LFLS2-M-MS-ODP-OP-T+TC-TE-TM-TP-V-WSFP	250x110x140	1050	84	*

Europower **open** generating sets from 85 to 250kVA with **Volvo water-cooled diesel** engines, Stage IIIA, 1500rpm, 50Hz, 4 stroke

85 - 250kVA

Article code	TYPE	Price in EURO (ex. VAT)	kVA max. (50Hz)	kVA cont.	Amp.		Engine VOLVO (EU Stage)	Cil.	Electronic speed governor	kW max.	cm³	Tank (l)	Cons. @ 75% load (l/h)	Auto-nomy @ 75% load (h)	Battery voltage (V)	Alternator	Version	Dimensions (cm)	kg	dB(A) @ 7m	LWA
		Alternator			1 ~ 230V	3 ~ 400V															
781108503	EP85TDE-3A	22645 (LS)	94	85	122	123	TAD550GE (IIIA)	4	Standard	85	4760	430	16.8	25.6	24	LSA44.3S4 AREP	Amp3-AREP-AVR-CLS-DSE-E1-Erpm-ES-FFPM-FLM-FPm-h-Hz-LFLS2-LS2-M-MS-ODP-OP-TC-TE-TM-TP-V-WSFP	250x110x161	1192	85	*
791108503	EP85TDE-3A	21355 (MA)	94	85	122	123	TAD550GE (IIIA)	4	Standard	85	4760	430	16.8	25.6	24	ECP34-1S/4	Amp3-AVR-CLS-DSE-E1-Erpm-ES-FFPM-FLM-FPm-h-Hz-LFLS2-M-MS-ODP-OP-T+TC-TE-TM-TP-V-WSFP	250x110x161	1245	85	*
781110003	EP100TDE-3A	25165 (LS)	110	100	143	144	TAD551GE (IIIA)	4	Standard	100	4760	430	21.2	20.3	24	LSA44.3S5 AREP	Amp3-AREP-AVR-CLS-DSE-E1-Erpm-ES-FFPM-FLM-FPm-h-Hz-LFLS2-M-MS-ODP-OP-TC-TE-TM-TP-V-WSFP	250x110x161	1322	86	*
791110003	EP100TDE-3A	24870 (MA)	110	100	152	144	TAD551GE (IIIA)	4	Standard	100	4760	430	21.2	20.3	24	ECP34-2S/4	Amp3-AVR-CLS-DSE-E1-Erpm-ES-FFPM-FLM-FPm-h-Hz-LFLS2-M-MS-ODP-OP-T+TC-TE-TM-TP-V-WSFP	250x110x161	1375	86	*
781115003	EP150TDE-3A	30300 (LS)	165	150	217	217	TAD751GE (TE IIIA)	6	Standard	145	7150	430	28	15.4	24	LSA44.3L10 AREP	Amp3-AREP-AVR-CLS-DSE-E1-Erpm-ES-FFPM-FLM-FPm-h-Hz-LFLS2-LS2-M-MS-ODP-OP-TC-TE-TM-TP-V-WSFP	250x110x162	1653	88	*
791115003	EP150TDE-3A	29170 (MA)	165	150	217	217	TAD751GE (TE IIIA)	6	Standard	145	7150	430	28	15.4	24	ECP34-2L/4	Amp3-AVR-CLS-DSE-E1-Erpm-ES-FFPM-FLM-FPm-h-Hz-LFLS2-M-MS-ODP-OP-T+TC-TE-TM-TP-V-WSFP	250x110x162	1715	88	*
781118003	EP180TDE-3A	33830 (LS)	198	180	261	260	TAD752GE (TE IIIA)	6	Standard	174	7150	500	31	16.1	24	LSA46.3S2 AREP	Amp3-AREP-AVR-CLS-DSE-E1-Erpm-ES-FFPM-FLM-FPm-h-Hz-LFLS2-LS2-M-MS-ODP-OP-TC-TE-TM-TP-V-WSFP	280x115x173	1815	89	*
791118003	EP180TDE-3A	33320 (MA)	198	180	261	260	TAD752GE (TE IIIA)	6	Standard	174	7150	500	31	16.1	24	ECO38-1SN/4	Amp3-AVR-CLS-DSE-E1-Erpm-ES-FFPM-FLM-FPm-h-Hz-LFLS2-M-MS-ODP-OP-T+TC-TE-TM-TP-V-WSFP	280x115x173	1815	89	*
781120003	EP200TDE-3A	36210 (LS)	220	200	287	289	TAD753GE (TE IIIA)	6	Standard	191	7150	500	33.6	14.9	24	LSA46.3S3 AREP	Amp3-AREP-AVR-CLS-DSE-E1-Erpm-ES-FFPM-FLM-FPm-h-Hz-LFLS2-LS2-M-MS-ODP-OP-TC-TE-TM-TP-V-WSFP	280x115x173	1865	90	*
791120003	EP200TDE-3A	35425 (MA)	220	200	287	289	TAD753GE (TE IIIA)	6	Standard	191	7150	500	33.6	14.9	24	ECO38-2S/4	Amp3-AVR-CLS-DSE-E1-Erpm-ES-FFPM-FLM-FPm-h-Hz-LFLS2-M-MS-ODP-OP-T+TC-TE-TM-TP-V-WSFP	280x115x173	1865	90	*
781125003	EP250TDE-3A	40310 (LS)	275	250	361	361	TAD754GE (TE IIIA)	6	Standard	239	7150	500	43.4	11.5	24	LSA46.3S5 AREP	Amp3-AREP-AVR-CLS-DSE-E1-Erpm-ES-FFPM-FLM-FPm-h-Hz-LFLS2-LS2-M-MS-ODP-OP-TC-TE-TM-TP-V-WSFP	280x115x173	2095	91	*
791125003	EP250TDE-3A	39250 (MA)	275	250	361	361	TAD754GE (TE IIIA)	6	Standard	239	7150	500	43.4	11.5	24	ECO38-1LN/4	Amp3-AVR-CLS-DSE-E1-Erpm-ES-FFPM-FLM-FPm-h-Hz-LFLS2-M-MS-ODP-OP-T+TC-TE-TM-TP-V-WSFP	280x115x173	2095	91	*

Europower open generating sets with Iveco water-cooled diesel engine, Stage II, 1500rpm, 50Hz, 4 stroke

60kVA

Article code	TYPE	Price in EURO (ex. VAT)	kVA max. (50Hz)	kVA cont.	Amp.		Engine IVECO (EU Stage II)	Cil.	Electronic speed governor	kW max.	cm ³	Tank (l)	Cons. @ 75% load (l/h)	Auto-nomy @ 75% load (h)	Battery voltage (V)	Alternator	Version	Dimensions (cm)	kg	dB(A) @ 7m	LWA
		Alternator			1 ~ 230V	3 ~ 400V															
783106003	EP60TDE	15195 (LS)	66	60	87	87	NEF N45SM1A	4	Option	59	4500	430	12.5	34.4	12	LSA42.3L9 AREP	Amp3-AREP-AVR-DSE-E1-ES-FFPM-FLM-h-Hz-LFLS2-LS2-M-MS-ODP-OP-TC-TE-TM-TP-V-WSFP	250x110x140	1015	84	*
793106003	EP60TDE	15250 (MA)	66	60	87	87	NEF N45SM1A	4	Option	59	4500	430	12.5	34.4	12	ECP32-2M/4	Amp3-AVR-DSE-E1-ES-FFPM-FLM-h-Hz-M-MS-ODP-OP-T+TC-TE-TM-TP-V-WSFP	250x110x140	1050	84	*

Europower open generating sets from 85 to 600kVA with Volvo water-cooled diesel engine, Stage II, 1500rpm, 50Hz, 4 stroke

85 - 600kVA

Article code	TYPE	Price in EURO (ex. VAT)	kVA max. (50Hz)	kVA cont.	Amp.		Engine VOLVO (EU Stage II)	Cil.	Electronic speed governor	kW max.	cm ³	Tank (l)	Cons. @ 75% load (l/h)	Auto-nomy @ 75% load (h)	Battery voltage (V)	Alternator	Version	Dimensions (cm)	kg	dB(A) @ 7m	LWA
		Alternator			1 ~ 230V	3 ~ 400V															
780108503	EP85TDE	20610 (LS)	94	85	122	123	TAD530GE	4	Option	83	4760	430	14.5	29.7	12	LSA44.3S4 AREP	Amp3-AREP-AVR-CLS-DSE-E1-ES-FFPM-FLM-FPM-h-Hz-LFLS2-LS2-M-MS-ODP-OP-TC-TE-TM-TP-V-WSFP	250x110x161	1192	85	*
790108503	EP85TDE	19900 (MA)	94	85	122	123	TAD530GE	4	Option	83	4760	430	14.5	29.7	12	ECP34-1S/4	Amp3-AVR-CLS-DSE-E1-ES-FFPM-FLM-FPM-h-Hz-M-MS-ODP-OP-T+TC-TE-TM-TP-V-WSFP	250x110x161	1245	85	*
780110003	EP100TDE	22115 (LS)	110	100	143	144	TAD531GE	4	Option	96	4760	430	17.1	25.1	12	LSA44.3S5 AREP	Amp3-AREP-AVR-CLS-DSE-E1-ES-FFPM-FLM-FPM-h-Hz-LFLS2-LS2-M-MS-ODP-OP-TC-TE-TM-TP-V-WSFP	250x110x161	1322	86	*
790110003	EP100TDE	21685 (MA)	110	100	143	144	TAD531GE	4	Option	96	4760	430	17.1	25.1	12	ECP34-2S/4	Amp3-AVR-CLS-DSE-E1-ES-FFPM-FLM-FPM-h-Hz-M-MS-ODP-OP-T+TC-TE-TM-TP-V-WSFP	250x110x161	1375	86	*
780113003	EP130TDE	24465 (LS)	143	130	188	188	TAD532GE	4	Standard	124	4760	430	21	20.5	12	LSA44.3M8 AREP	Amp3-AREP-AVR-CLS-DSE-E1-Erpm-ES-FFPM-FLM-FPM-h-Hz-LFLS2-LS2-M-MS-ODP-OP-TC-TE-TM-TP-V-WSFP	250x110x161	1403	87	*
790113003	EP130TDE	24030 (MA)	143	130	188	188	TAD532GE	4	Standard	124	4760	430	21	20.5	12	ECP34-1L/4	Amp3-AVR-CLS-DSE-E1-Erpm-ES-FFPM-FLM-FPM-h-Hz-M-MS-ODP-OP-T+TC-TE-TM-TP-V-WSFP	250x110x161	1445	87	*
780115003	EP150TDE	27915 (LS)	165	150	217	217	TAD731GE	6	Option	145	7150	430	25.7	16.7	12	LSA44.3L10 AREP	Amp3-AREP-AVR-CLS-DSE-E1-ES-FFPM-FLM-FPM-h-Hz-LFLS2-LS2-M-MS-ODP-OP-TC-TE-TM-TP-V-WSFP	250x110x162	1653	88	*
790115003	EP150TDE	26430 (MA)	165	150	217	217	TAD731GE	6	Option	145	7150	430	25.7	16.7	12	ECP34-2L/4	Amp3-AVR-CLS-DSE-E1-ES-FFPM-FLM-FPM-h-Hz-M-MS-ODP-OP-T+TC-TE-TM-TP-V-WSFP	250x110x162	1715	88	*
780118003	EP180TDE	30420 (LS)	198	180	261	260	TAD732GE	6	Standard	179	7150	500	30.6	16.3	24	LSA46.3S2 AREP	Amp3-AREP-AVR-CLS-DSE-E1-Erpm-ES-FFPM-FLM-FPM-h-Hz-LFLS2-LS2-M-MS-ODP-OP-TC-TE-TM-TP-V-WSFP	280x115x173	1815	89	*
790118003	EP180TDE	29920 (MA)	198	180	261	260	TAD732GE	6	Standard	179	7150	500	30.6	16.3	24	ECO38-1SN/4	Amp3-AVR-CLS-DSE-E1-Erpm-ES-FFPM-FLM-FPM-h-Hz-M-MS-ODP-OP-T+TC-TE-TM-TP-V-WSFP	280x115x173	1815	89	*
780120003	EP200TDE	34580 (LS)	220	200	287	289	TAD733GE	6	Standard	195	7150	500	33.8	14.8	24	LSA46.3S3 AREP	Amp3-AREP-AVR-CLS-DSE-E1-Erpm-ES-FFPM-FLM-FPM-h-Hz-LFLS2-LS2-M-MS-ODP-OP-TC-TE-TM-TP-V-WSFP	280x115x173	1865	90	*
790120003	EP200TDE	33115 (MA)	220	200	287	289	TAD733GE	6	Standard	195	7150	500	33.8	14.8	24	ECO38-2S/4	Amp3-AVR-CLS-DSE-E1-Erpm-ES-FFPM-FLM-FPM-h-Hz-M-MS-ODP-OP-T+TC-TE-TM-TP-V-WSFP	280x115x173	1865	90	*
780125003	EP250TDE	38200 (LS)	275	250	361	361	TAD734GE	6	Standard	239	7150	500	41.9	11.9	24	LSA46.3S5 AREP	Amp3-AREP-AVR-CLS-DSE-E1-Erpm-ES-FFPM-FLM-FPM-h-Hz-LFLS2-LS2-M-MS-ODP-OP-TC-TE-TM-TP-V-WSFP	280x115x173	2095	91	*
790125003	EP250TDE	36670 (MA)	275	250	361	361	TAD734GE	6	Standard	239	7150	500	41.9	11.9	24	ECO38-1LN/4	Amp3-AVR-CLS-DSE-E1-Erpm-ES-FFPM-FLM-FPM-h-Hz-M-MS-ODP-OP-T+TC-TE-TM-TP-V-WSFP	280x115x173	2095	91	*
790231503	EP315TDE	49800 (MA)	330	300	435	433	TAD1341GE	6	Standard	302	12780	535 (o)	47	-	24	ECO38-2LN/4	Amp3-AVR-BFT-CLS-DSE-E1-Erpm-ES-FFPM-h-Hz-M-MS-ODP-OP-T+TC-TE-TM-TP-V-VF-WSFP	420x158x228	3440	93	*
780231503	EP315TDE	51770 (LS)	347	315	457	455	TAD1341GE	6	Standard	302	12780	535 (o)	47	-	24	LSA46.3L10 AREP	Amp3-AREP-AVR-BFT-CLS-DSE-E1-Erpm-ES-FFPM-h-Hz-LS2-M-MS-ODP-OP-TC-TE-TM-TP-V-VF-WSFP	420x158x228	3570	93	*
780241003	EP410TDE	62305 (LS)	450	410	596	592	TAD1344GE	6	Standard	389	12780	535 (o)	62	-	24	LSA47.2S4 AREP	Amp3-AREP-AVR-BFT-CLS-DSE-E1-Erpm-ES-FFPM-h-Hz-LS2-M-MS-ODP-OP-TC-TE-TM-TP-V-VF-WSFP	420x158x228	3720	93	*
790241003	EP410TDE	60995 (MA)	450	410	596	592	TAD1344GE	6	Standard	389	12780	535 (o)	62	-	24	ECO40-1S	Amp3-AVR-BFT-CLS-DSE-E1-Erpm-ES-FFPM-h-Hz-M-MS-ODP-OP-T+TC-TE-TM-TP-V-VF-WSFP	420x158x228	3785	93	*
780250003	EP500TDE	80505 (LS)	550	500	726	722	TAD1641GE	6	Standard	473	16120	722 (o)	75	-	24	LSA47.2M7 AREP	Amp3-AREP-AVR-BFT-CLS-DSE-E1-Erpm-ES-FFPM-h-Hz-LS2-M-MS-ODP-OP-TC-TE-TM-TP-V-VF-WSFP	430x198x261	4370	93	*
790250003	EP500TDE	78670 (MA)	550	500	726	722	TAD1641GE	6	Standard	473	16120	722 (o)	75	-	24	ECO40-3S/4	Amp3-AVR-BFT-CLS-DSE-E1-Erpm-ES-FFPM-h-Hz-M-MS-ODP-OP-T+TC-TE-TM-TP-V-VF-WSFP	430x198x261	4295	93	*
780260003	EP600TDE	88930 (LS)	650	591	857	853	TAD1642GE	6	Standard	554	16120	722 (o)	87	-	24	LSA47.2L9 AREP	Amp3-AREP-AVR-BFT-CLS-DSE-E1-Erpm-ES-FFPM-h-Hz-LS2-M-MS-ODP-OP-TC-TE-TM-TP-V-VF-WSFP	430x198x261	4500	93	*
790260003	EP600TDE	86555 (MA)	650	591	857	853	TAD1642GE	6	Standard	554	16120	722 (o)	87	-	24	ECO40-1.5/L	Amp3-AVR-BFT-CLS-DSE-E1-Erpm-ES-FFPM-h-Hz-M-MS-ODP-OP-T+TC-TE-TM-TP-V-VF-WSFP	430x198x261	4510	93	*

(o) = Option

Europower silenced generating sets with Iveco water-cooled diesel engine, Stage IIIA, 1500rpm, 50Hz, 4 stroke

60kVA

Article code	TYPE	Price in EURO (ex. VAT)	kVA max. (50Hz)	kVA cont.	Amp.		Engine IVECO (EU Stage)	Cil.	Electronic speed governor	kW max.	cm ³	Tank (l)	Cons. @ 75% load (l/h)	Auto-nomy @ 75% load (h)	Battery voltage (V)	Alternator	Version	Dimensions (cm)	kg	dB(A) @ 7m	LWA
		Alternator			1 ~ 230V	3 ~ 400V															
784106013	EPS60TDE-3A	21500 (LS)	66	60	87	87	NEF N45SM1F (IIIA)	4	Option	60	4500	195	12.5	15.6	12	LSA42.3L9 AREP	B8-Amp3-AREP-AVR-BFT-DSE-E1-ES-FFPM-FIA-FLM-h-Hz-LE-LFLS2-LS2-MS-ODP-OP-T+TC-TE-TM2-TP-V-WSFP	285x114x190	1433	64	89
794106013	EPS60TDE-3A	21610 (MA)	66	60	87	87	NEF N45SM1F (IIIA)	4	Option	60	4500	195	12.5	15.6	12	ECP32-2M/4	B8-Amp3-AVR-BFT-DSE-E1-ES-FFPM-FIA-FLM-h-Hz-LE-LFLS2-MS-ODP-OP-T+TC-TE-TM2-TP-V-WSFP	285x114x190	1475	64	89

Europower silenced generating sets from 85 to 250kVA with Volvo water-cooled diesel engines, Stage IIIA, 1500rpm, 50Hz, 4 stroke

85 - 250kVA

Article code	TYPE	Price in EURO (ex. VAT)	kVA max. (50Hz)	kVA cont.	Amp.		Engine VOLVO (EU Stage)	Cil.	Electronic speed governor	kW max.	cm ³	Tank (l)	Cons. @ 75% load (l/h)	Auto-nomy @ 75% load (h)	Battery voltage (V)	Alternator	Version	Dimensions (cm)	kg	dB(A) @ 7m	LWA
		Alternator			1 ~ 230V	3 ~ 400V															
781108513	EPS85TDE-3A	27400 (LS)	94	85	122	123	TAD550GE (IIIA)	4	Standard	85	4760	195	16.8	11.6	24	LSA44.3S4 AREP	B8-Amp3-AREP-AVR-BFT-CLS-DSE-E1-Erpm-ES-FFPM-FIA-FLM-FPm-h-Hz-LE-LFLS2-LS2-MS-ODP-OP-T+TC-TE-TM2-TP-V-WSFP	285x114x190	1712	69	94
791108513	EPS85TDE-3A	26590 (MA)	94	85	122	123	TAD550GE (IIIA)	4	Standard	85	4760	195	16.8	11.6	24	ECP34-1S/4	B8-Amp3-AVR-BFT-CLS-DSE-E1-Erpm-ES-FFPM-FIA-FLM-FPm-h-Hz-LE-LFLS2-MS-ODP-OP-T+TC-TE-TM2-TP-V-WSFP	285x114x190	1765	69	94
781110013	EPS100TDE-3A	28400 (LS)	110	100	143	144	TAD551GE (IIIA)	4	Standard	100	4760	195	21.2	9.2	24	LSA44.3S5 AREP	B8-Amp3-AREP-AVR-BFT-CLS-DSE-E1-Erpm-ES-FFPM-FIA-FLM-FPm-h-Hz-LE-LFLS2-LS2-MS-ODP-OP-T+TC-TE-TM2-TP-V-WSFP	285x114x190	1722	71	96
791110013	EPS100TDE-3A	28040 (MA)	110	100	152	144	TAD551GE (IIIA)	4	Standard	100	4760	195	21.2	9.2	24	ECP34-2S/4	B8-Amp3-AREP-AVR-BFT-CLS-DSE-E1-Erpm-ES-FFPM-FIA-FLM-FPm-h-Hz-LE-LFLS2-MS-ODP-OP-T+TC-TE-TM2-TP-V-WSFP	285x114x190	1775	71	96
781115013	EPS150TDE-3A	34810 (LS)	165	150	217	217	TAD751GE (TE IIIA)	6	Standard	145	7150	288	28	10.3	24	LSA44.3L10 AREP	B8-Amp3-AREP-AVR-BFT-CLS-DSE-E1-Erpm-ES-FFPM-FIA-FLM-FPm-h-Hz-LE-LFLS2-LS2-MS-ODP-OP-T+TC-TE-TM2-TP-V-WSFP	330x122x197	2245	72	97
791115013	EPS150TDE-3A	33680 (MA)	165	150	217	217	TAD751GE (TE IIIA)	6	Standard	145	7150	288	28	10.3	24	ECP34-2L/4	B8-Amp3-AVR-BFT-CLS-DSE-E1-Erpm-ES-FFPM-FIA-FLM-FPm-h-Hz-LE-LFLS2-MS-ODP-OP-T+TC-TE-TM2-TP-V-WSFP	330x122x197	2450	72	97
781118013	EPS180TDE-3A	41675 (LS)	198	180	261	260	TAD752GE (TE IIIA)	6	Standard	174	7150	352	31	11.4	24	LSA46.3S2 AREP	B8-Amp3-AREP-AVR-BFT-CLS-DSE-E1-Erpm-ES-FFPM-FIA-FLM-FPm-h-Hz-LE-LFLS2-LS2-MS-ODP-OP-T+TC-TE-TM2-TP-V-WSFP	360x123x221	2740	72	97
791118013	EPS180TDE-3A	41170 (MA)	198	180	261	260	TAD752GE (TE IIIA)	6	Standard	174	7150	352	31	11.4	24	ECO38-1SN/4	B8-Amp3-AVR-BFT-CLS-DSE-E1-Erpm-ES-FFPM-FIA-FLM-FPm-h-Hz-LE-LFLS2-MS-ODP-OP-T+TC-TE-TM2-TP-V-WSFP	360x123x221	2665	72	97
781120013	EPS200TDE-3A	42570 (LS)	220	200	287	289	TAD753GE (TE IIIA)	6	Standard	191	7150	352	33.6	10.5	24	LSA46.3S3 AREP	B8-Amp3-AREP-AVR-BFT-CLS-DSE-E1-Erpm-ES-FFPM-FIA-FLM-FPm-h-Hz-LE-LFLS2-LS2-MS-ODP-OP-T+TC-TE-TM2-TP-V-WSFP	360x123x221	2780	72	97
791120013	EPS200TDE-3A	41600 (MA)	220	200	287	289	TAD753GE (TE IIIA)	6	Standard	191	7150	352	33.6	10.5	24	ECO38-2S/4	B8-Amp3-AVR-BFT-CLS-DSE-E1-Erpm-ES-FFPM-FIA-FLM-FPm-h-Hz-LE-LFLS2-MS-ODP-OP-T+TC-TE-TM2-TP-V-WSFP	360x123x221	2700	72	97
781125013	EPS250TDE-3A	47495 (LS)	275	250	361	361	TAD754GE (TE IIIA)	6	Standard	239	7150	352	43.4	8.1	24	LSA46.3S5 AREP	B8-Amp3-AREP-AVR-BFT-CLS-DSE-E1-Erpm-ES-FFPM-FIA-FLM-FPm-h-Hz-LE-LFLS2-LS2-MS-ODP-OP-T+TC-TE-TM2-TP-V-WSFP	360x123x221	2940	72	97
791125013	EPS250TDE-3A	45990 (MA)	275	250	361	361	TAD754GE (TE IIIA)	6	Standard	239	7150	352	43.4	8.1	24	ECO38-1LN/4	B8-Amp3-AVR-BFT-CLS-DSE-E1-Erpm-ES-FFPM-FIA-FLM-FPm-h-Hz-LE-LFLS2-MS-ODP-OP-T+TC-TE-TM2-TP-V-WSFP	360x123x221	2835	72	97

Europower silenced generating sets with Iveco water-cooled diesel engine, Stage II, 1500rpm, 50Hz, 4 stroke

60kVA

Article code	TYPE	Price in EURO (ex. VAT)	kVA max. (50Hz)	kVA cont.	Amp.		Engine IVECO (EU Stage II)	Cil.	Electronic speed governor	kW max.	cm ³	Tank (l)	Cons. @75% load (l/h)	Autonomy @75% load (h)	Battery voltage (V)	Alternator	Version	Dimensions (cm)	kg	dB(A) @ 7m	LWA
		Alternator			1 ~ 230V	3 ~ 400V															
783106013	EPS60TDE	20485 (LS)	66	60	87	87	NEF N45SM1A	4	Option	59	4500	195	10.2	19.1	12	LSA42.3L9 AREP	B8-Amp3-AREP-AVR-BFT-DSE-E1-ES-FFPM-FIA-FLM-h-Hz-LE-LFLS2-LS2-MS-ODP-OP-TC-TE-TM2-TP-V-WSFP	285x114x190	1433	64	89
793106013	EPS60TDE	20310 (MA)	66	60	87	87	NEF N45SM1A	4	Option	59	4500	195	10.2	19.1	12	ECP32-2	B8-Amp3-AVR-BFT-DSE-E1-ES-FFPM-FIA-FLM-h-Hz-LE-LFLS2-MS-ODP-OP-T+TC-TE-TM2-TP-V-WSFP	285x114x190	1500	64	89

Europower silenced generating sets from 85 to 600kVA with Volvo water-cooled diesel engine, Stage II, 1500rpm, 50Hz, 4 stroke

85 - 600kVA

Article code	TYPE	Price in EURO (ex. VAT)	kVA max. (50Hz)	kVA cont.	Amp.		Engine VOLVO (EU Stage II)	Cil.	Electronic speed governor	kW max.	cm ³	Tank (l)	Cons. @75% load (l/h)	Autonomy @75% load (h)	Battery voltage (V)	Alternator	Version	Dimensions (cm)	kg	dB(A) @ 7m	LWA
		Alternator			1 ~ 230V	3 ~ 400V															
780108513	EPS85TDE	25560 (LS)	94	85	122	123	TAD530GE	4	Option	83	4760	195	14.5	13.4	12	LSA44.3S4 AREP	B8-Amp3-AREP-AVR-BFT-CLS-DSE-E1-ES-FFPM-FIA-FLM-FPm-h-Hz-LE-LFLS2-LS2-MS-ODP-OP-TC-TE-TM2-TP-V-WSFP	285x114x190	1712	71	96
790108513	EPS85TDE	24830 (MA)	94	85	122	123	TAD530GE	4	Option	83	4760	195	14.5	13.4	12	ECP34-1S/4	B8-Amp3-AVR-BFT-CLS-DSE-E1-ES-FFPM-FIA-FLM-FPm-h-Hz-LE-LFLS2-MS-ODP-OP-T+TC-TE-TM2-TP-V-WSFP	285x114x190	1765	71	96
780110013	EPS100TDE	25805 (LS)	110	100	143	144	TAD531GE	4	Option	96	4760	195	17.1	11.4	12	LSA44.3S5 AREP	B8-Amp3-AREP-AVR-BFT-CLS-DSE-E1-ES-FFPM-FIA-FLM-FPm-h-Hz-LE-LFLS2-LS2-MS-ODP-OP-TC-TE-TM2-TP-V-WSFP	285x114x190	1722	71	96
790110013	EPS100TDE	25390 (MA)	110	100	152	144	TAD531GE	4	Option	96	4760	195	17.1	11.4	12	ECP34-2S/4	B8-Amp3-AVR-BFT-CLS-DSE-E1-ES-FFPM-FIA-FLM-FPm-h-Hz-LE-LFLS2-MS-ODP-OP-T+TC-TE-TM2-TP-V-WSFP	285x114x190	1775	71	96
780113013	EPS130TDE	30700 (LS)	143	130	188	188	TAD730GE	6	Option	124	7150	288	21.8	13.2	12	LSA44.3M8 AREP	B8-Amp3-AREP-AVR-BFT-CLS-DSE-E1-ES-FFPM-FIA-FLM-FPm-h-Hz-LE-LFLS2-LS2-MS-ODP-OP-TC-TE-TM2-TP-V-WSFP	330x122x197	2168	71	96
790113013	EPS130TDE	29850 (MA)	143	130	188	188	TAD730GE	6	Option	124	7150	288	21.8	13.2	12	ECP34-1L/4	B8-Amp3-AVR-BFT-CLS-DSE-E1-ES-FFPM-FIA-FLM-FPm-h-Hz-LE-LFLS2-MS-ODP-OP-T+TC-TE-TM2-TP-V-WSFP	330x122x197	2237	71	96
780115013	EPS150TDE	31955 (LS)	165	150	217	217	TAD731GE	6	Option	145	7150	288	25.7	11.2	12	LSA44.3L10 AREP	B8-Amp3-AREP-AVR-BFT-CLS-DSE-E1-ES-FFPM-FIA-FLM-FPm-h-Hz-LE-LFLS2-LS2-MS-ODP-OP-TC-TE-TM2-TP-V-WSFP	330x122x197	2388	72	97
790115013	EPS150TDE	31200 (MA)	165	150	217	217	TAD731GE	6	Option	145	7150	288	25.7	11.2	12	ECP34-2L/4	B8-Amp3-AREP-AVR-BFT-CLS-DSE-E1-ES-FFPM-FIA-FLM-FPm-h-Hz-LE-LFLS2-MS-ODP-OP-T+TC-TE-TM2-TP-V-WSFP	330x122x197	2450	72	97
780118013	EPS180TDE	37465 (LS)	198	180	261	260	TAD732GE	6	Standard	179	7150	352	30.6	11.5	24	LSA46.3S2 AREP	B8-Amp3-AREP-AVR-BFT-CLS-DSE-E1-Erpm-ES-FFPM-FIA-FLM-FPm-h-Hz-LE-LFLS2-LS2-MS-ODP-OP-TC-TE-TM2-TP-V-WSFP	360x123x221	2740	72	97
790118013	EPS180TDE	36910 (MA)	198	180	261	260	TAD732GE	6	Standard	179	7150	352	30.6	11.5	24	ECO38-1SN/4	B8-Amp3-AVR-BFT-CLS-DSE-E1-Erpm-ES-FFPM-FIA-FLM-FPm-h-Hz-LE-LFLS2-MS-ODP-OP-T+TC-TE-TM2-TP-V-WSFP	360x123x221	2665	72	97
780120013	EPS200TDE	41000 (LS)	220	200	287	289	TAD733GE	6	Standard	195	7150	352	33.8	10.4	24	LSA46.3S3 AREP	B8-Amp3-AREP-AVR-BFT-CLS-DSE-E1-Erpm-ES-FFPM-FIA-FLM-FPm-h-Hz-LE-LFLS2-LS2-MS-ODP-OP-TC-TE-TM2-TP-V-WSFP	360x123x221	2780	72	97
790120013	EPS200TDE	40050 (MA)	220	200	287	289	TAD733GE	6	Standard	195	7150	352	33.8	10.4	24	ECO38-2S/4	B8-Amp3-AVR-BFT-CLS-DSE-E1-Erpm-ES-FFPM-FIA-FLM-FPm-h-Hz-LE-LFLS2-MS-ODP-OP-T+TC-TE-TM2-TP-V-WSFP	360x123x221	2715	72	97
780125013	EPS250TDE	44255 (LS)	275	250	361	361	TAD734GE	6	Standard	239	7150	352	41.9	8.4	24	LSA46.3S5 AREP	B8-Amp3-AREP-AVR-BFT-CLS-DSE-E1-Erpm-ES-FFPM-FIA-FLM-FPm-h-Hz-LE-LFLS2-LS2-MS-ODP-OP-TC-TE-TM2-TP-V-WSFP	360x123x221	2865	72	97
790125013	EPS250TDE	42410 (MA)	275	250	361	361	TAD734GE	6	Standard	239	7150	352	41.9	8.4	24	ECO38-1LN/4	B8-Amp3-AVR-BFT-CLS-DSE-E1-Erpm-ES-FFPM-FIA-FLM-FPm-h-Hz-LE-LFLS2-MS-ODP-OP-T+TC-TE-TM2-TP-V-WSFP	360x123x221	2835	72	97
790231513	EPS315TDE	54880 (MA)	330	300	435	433	TAD1341GE	6	Standard	302	12780	535 (o)	47	-	24	ECO38-2LN/4	A0-Amp3-AVR-BFT-CLS-DSE-E1-Erpm-ES-FFPM-h-Hz-MS-ODP-OP-T+TC-TE-TM2-TP-V-VF-WSFP	422x160x228	4095	72	97
780231513	EPS315TDE	57300 (LS)	347	315	457	455	TAD1341GE	6	Standard	302	12780	535 (o)	47	-	24	LSA46.3L10 AREP	A0-Amp3-AREP-AVR-BFT-CLS-DSE-E1-Erpm-ES-FFPM-h-Hz-LS2-MS-ODP-OP-TC-TE-TM2-TP-V-VF-WSFP	422x160x228	4225	72	97
780241013	EPS410TDE	67500 (LS)	450	410	596	592	TAD1344GE	6	Standard	389	12780	299 (o)	62	-	24	LSA47.2S4 AREP	A0-Amp3-AREP-AVR-BFT-CLS-DSE-E1-Erpm-ES-FFPM-h-Hz-LS2-MS-ODP-OP-TC-TE-TM2-TP-V-VF-WSFP	422x160x228	4370	72	97
790241013	EPS410TDE	65655 (MA)	450	410	596	592	TAD1344GE	6	Standard	389	12780	535 (o)	62	-	24	ECO40-1S	A0-Amp3-AVR-BFT-CLS-DSE-E1-Erpm-ES-FFPM-h-Hz-MS-ODP-OP-T+TC-TE-TM2-TP-V-VF-WSFP	422x160x228	4100	72	97
780250013	EPS500TDE	86800 (LS)	550	500	726	722	TAD1641GE	6	Standard	473	16120	725 (o)	75	-	24	LSA47.2M7 AREP	A0-Amp3-AREP-AVR-BFT-CLS-DSE-E1-Erpm-ES-FFPM-h-Hz-LS2-MS-ODP-OP-TC-TE-TM2-TP-V-VF-WSFP	481x200x261	5250	72	97
790250013	EPS500TDE	84125 (MA)	550	500	726	722	TAD1641GE	6	Standard	473	16120	722 (o)	75	-	24	ECO40-3S/4	A0-Amp3-AVR-BFT-CLS-DSE-E1-Erpm-ES-FFPM-h-Hz-MS-ODP-OP-T+TC-TE-TM2-TP-V-VF-WSFP	481x200x261	5180	72	97
780260013	EPS600TDE	94970 (LS)	650	591	857	853	TAD1642GE	6	Standard	554	16120	722 (o)	87	-	24	LSA47.2L9 AREP	A0-Amp3-AREP-AVR-BFT-CLS-DSE-E1-Erpm-ES-FFPM-h-Hz-LS2-MS-ODP-OP-TC-TE-TM2-TP-V-VF-WSFP	481x200x261	5380	72	97
790260013	EPS600TDE	91625 (MA)	650	591	857	853	TAD1642GE	6	Standard	554	16120	722 (o)	87	-	24	ECO40-1.5/L	A0-Amp3-AVR-BFT-CLS-DSE-E1-Erpm-ES-FFPM-h-Hz-MS-ODP-OP-T+TC-TE-TM2-TP-V-VF-WSFP	481x200x261	5390	72	97

(o) = Option

Europower rental silenced generating sets with Iveco water-cooled diesel engine, Stage IIIA, 1500rpm, 50Hz, 4 stroke

60kVA

Article code	TYPE	Price in EURO (ex. VAT)	kVA max. (50Hz)	kVA cont.	Amp.		Engine IVECO (EU Stage)	Cil.	Electronic speed governor	kW max.	cm³	Tank (l)	Cons. @ 75% load (l/h)	Auto-nomy @ 75% load (h)	Battery voltage (V)	Alternator	Version	Dimensions (cm)	kg	dB(A) @ 7m	LWA
		Alternator			1 ~ 230V	3 ~ 400V															
784106023	EPSR60TDE-3A	24740 (LS)	66	60	87	87	NEF N45SM1F (IIIA)	4	Option	60	4500	520	12.5	41.6	12	LSA42.3L9 AREP	B15-Amp3-AREP-AVR-BFT-DH-DSE-E1-Erpm-ES-FFPM-FH-FIA-FLM-GALV-h-Hz-LE-LFLS2-LS2-MS-ODP-OP-PC-PI-T+TC-TE-TM2-TP-V-VS-WSFP	285x110x206	1720	62	87
794106023	EPSR60TDE-3A	24450 (MA)	66	60	87	87	NEF N45SM1F (IIIA)	4	Option	60	4500	520	12.5	41.6	12	ECP32-2M/4	B15-Amp3-AVR-BFT-DH-DSE-E1-Erpm-ES-FFPM-FH-FIA-FLM-GALV-h-Hz-LE-LFLS2-MS-ODP-OP-PC-PI-T+TC-TE-TM2-TP-V-VS-WSFP	285x110x206	1787	62	87

Europower rental silenced generating sets from 85 to 250kVA with Volvo water-cooled diesel engines, Stage IIIA, 1500rpm, 50Hz, 4 stroke

85 - 250kVA

Article code	TYPE	Price in EURO (ex. VAT)	kVA max. (50Hz)	kVA cont.	Amp.		Engine VOLVO (EU Stage)	Cil.	Electronic speed governor	kW max.	cm³	Tank (l)	Cons. @ 75% load (l/h)	Auto-nomy @ 75% load (h)	Battery voltage (V)	Alternator	Version	Dimensions (cm)	kg	dB(A) @ 7m	LWA
		Alternator			1 ~ 230V	3 ~ 400V															
781108523	EPSR85TDE-3A	30655 (LS)	94	85	122	123	TAD550GE (IIIA)	4	Standard	85	4760	520	16.8	31	24	LSA44.3S4 AREP	B15-Amp3-AREP-AVR-BFT-CLS-DH-DSE-E1-Erpm-ES-FFPM-FH-FIA-FLM-FPM-GALV-h-Hz-LE-LFLS2-MS-ODP-OP-PC-PI-T+TC-TE-TM2-TP-V-VS-WSFP	285x110x206	2037	68	93
791108523	EPSR85TDE-3A	29670 (MA)	94	85	122	123	TAD550GE (IIIA)	4	Standard	85	4760	520	16.8	31	24	ECP34-1S/4	B15-Amp3-AVR-BFT-CLS-DH-DSE-E1-Erpm-ES-FFPM-FH-FIA-FLM-FPM-GALV-h-Hz-LE-LFLS2-MS-ODP-OP-PC-PI-T+TC-TE-TM2-TP-V-VS-WSFP	285x110x206	2090	68	93
781110023	EPSR100TDE-3A	32000 (LS)	110	100	143	144	TAD551GE (IIIA)	4	Standard	100	4760	520	21.2	24.5	24	LSA44.3S5 AREP	B15-Amp3-AREP-AVR-BFT-CLS-DH-DSE-E1-Erpm-ES-FFPM-FH-FIA-FLM-FPM-GALV-h-Hz-LE-LFLS2-MS-ODP-OP-PC-PI-T+TC-TE-TM2-TP-V-VS-WSFP	285x110x206	2047	68	93
791110023	EPSR100TDE-3A	31120 (MA)	110	100	143	144	TAD551GE (IIIA)	4	Standard	100	4760	520	21.2	24.5	24	ECP34-2S/4	B15-Amp3-AVR-BFT-CLS-DH-DSE-E1-Erpm-ES-FFPM-FH-FIA-FLM-FPM-GALV-h-Hz-LE-LFLS2-MS-ODP-OP-PC-PI-T+TC-TE-TM2-TP-V-VS-WSFP	285x110x206	2100	68	93
781115023	EPSR150TDE-3A	39960 (LS)	165	150	217	217	TAD751GE (TE IIIA)	6	Standard	145	7150	910	28	32.5	24	LSA44.3L10 AREP	B15-Amp3-AREP-AVR-BFT-CLS-DH-DSE-E1-Erpm-ES-FFPM-FH-FIA-FLM-FPM-GALV-h-Hz-LE-LFLS2-MS-ODP-OP-PC-PI-T+TC-TE-TM2-TP-V-VS-WSFP	329x118x221	2608	72	97
791115023	EPSR150TDE-3A	38090 (MA)	165	150	217	217	TAD751GE (TE IIIA)	6	Standard	145	7150	910	28	32.5	24	ECP34-2L/4	B15-Amp3-AVR-BFT-CLS-DH-DSE-E1-Erpm-ES-FFPM-FH-FIA-FLM-FPM-GALV-h-Hz-LE-LFLS2-MS-ODP-OP-PC-PI-T+TC-TE-TM2-TP-V-VS-WSFP	329x118x221	2670	72	97
781118023	EPSR180TDE-3A	45115 (LS)	198	180	261	260	TAD752GE (TE IIIA)	6	Standard	174	7150	1220	31	39.4	24	LSA46.3S2 AREP	B16-Amp3-AREP-AVR-BFT-CLS-DH-DSE-E1-Erpm-ES-FFPM-FH-FIA-FLM-FPM-GALV-h-Hz-LE-LFLS2-MS-ODP-OP-PC-PI-T+TC-TE-TM2-TP-V-VS-WSFP	360x123x256	2950	72	97
791118023	EPSR180TDE-3A	44620 (MA)	198	180	261	260	TAD752GE (TE IIIA)	6	Standard	174	7150	1220	31	39.4	24	ECO38-1SN/4	B16-Amp3-AVR-BFT-CLS-DH-DSE-E1-Erpm-ES-FFPM-FH-FIA-FLM-FPM-GALV-h-Hz-LE-LFLS2-MS-ODP-OP-PC-PI-T+TC-TE-TM2-TP-V-VS-WSFP	360x123x256	2950	72	97
781120023	EPSR200TDE-3A	46560 (LS)	220	200	287	289	TAD753GE (TE IIIA)	6	Standard	191	7150	1220	33.6	36.3	24	LSA46.3S3 AREP	B16-Amp3-AREP-AVR-BFT-CLS-DH-DSE-E1-Erpm-ES-FFPM-FH-FIA-FLM-FPM-GALV-h-Hz-LE-LFLS2-MS-ODP-OP-PC-PI-T+TC-TE-TM2-TP-V-VS-WSFP	360x123x256	3000	72	97
791120023	EPSR200TDE-3A	45500 (MA)	220	200	287	289	TAD753GE (TE IIIA)	6	Standard	191	7150	1220	33.6	36.3	24	ECO38-2S/4	B16-Amp3-AVR-BFT-CLS-DH-DSE-E1-Erpm-ES-FFPM-FH-FIA-FLM-FPM-GALV-h-Hz-LE-LFLS2-MS-ODP-OP-PC-PI-T+TC-TE-TM2-TP-V-VS-WSFP	360x123x256	3000	72	97
781125023	EPSR250TDE-3A	50525 (LS)	275	250	361	361	TAD754GE (TE IIIA)	6	Standard	239	7150	1220	43.4	28.1	24	LSA46.3S5 AREP	B16-Amp3-AREP-AVR-BFT-CLS-DH-DSE-E1-Erpm-ES-FFPM-FH-FIA-FLM-FPM-GALV-h-Hz-LE-LFLS2-MS-ODP-OP-PC-PI-T+TC-TE-TM2-TP-V-VS-WSFP	360x123x256	3320	72	97
791125023	EPSR250TDE-3A	48620 (MA)	275	250	361	361	TAD754GE (TE IIIA)	6	Standard	239	7150	1220	43.4	28.1	24	ECO38-1LN/4	B16-Amp3-AVR-BFT-CLS-DH-DSE-E1-Erpm-ES-FFPM-FH-FIA-FLM-FPM-GALV-h-Hz-LE-LFLS2-MS-ODP-OP-PC-PI-T+TC-TE-TM2-TP-V-VS-WSFP	360x123x256	3320	72	97

Europower rental ultra-silenced generating sets from 130 to 180kVA with Volvo water-cooled diesel engines, Stage IIIA, 1500rpm, 50Hz, 4 stroke

130 - 180kVA

Article code	TYPE	Price in EURO (ex. VAT)	kVA max. (50Hz)	kVA cont.	Amp.		Engine VOLVO (EU Stage)	Cil.	Electronic speed governor	kW max.	cm³	Tank (l)	Cons. @ 75% load (l/h)	Auto-nomy @ 75% load (h)	Battery voltage (V)	Alternator	Version	Dimensions (cm)	kg	dB(A) @ 7m	LWA
		Alternator			1 ~ 230V	3 ~ 400V															
781113033	EPUS130TDE-3A	49345 (LS)	143	130	187	188	TAD752GE (TE IIIA)	6	Standard	174	7150	1220	23.8	51.3	24	LSA44.3M8 AREP	B15-Amp3-AREP-AVR-BFT-CLS-DH-DSE-E1-Erpm-ES-FFPM-FH-FIA-FLM-FPM-GALV-h-Hz-LE-LFLS2-LS2-MS-ODP-OP-PC-PI-T+TC-TE-TM2-TP-V-VF-VS-WSFP	360x123x256	3420	68	93
781115033	EPUS150TDE-3A	49925 (LS)	165	150	217	217	TAD752GE (TE IIIA)	6	Standard	174	7150	1220	28	43.6	24	LSA44.3L10 AREP	B15-Amp3-AREP-AVR-BFT-CLS-DH-DSE-E1-Erpm-ES-FFPM-FH-FIA-FLM-FPM-GALV-h-Hz-LE-LFLS2-LS2-MS-ODP-OP-PC-PI-T+TC-TE-TM2-TP-V-VF-VS-WSFP	360x123x256	3235	68	93
781118033	EPUS180TDE-3A	51835 (LS)	198	180	261	260	TAD752GE (TE IIIA)	6	Standard	174	7150	1220	31	39.4	24	LSA46.3S2 AREP	B16-Amp3-AREP-AVR-BFT-CLS-DH-DSE-E1-Erpm-ES-FFPM-FH-FIA-FLM-FPM-GALV-h-Hz-LE-LFLS2-LS2-MS-ODP-OP-PC-PI-T+TC-TE-TM2-TP-V-VF-VS-WSFP	360x123x256	3660	69	94

Europower rental silenced generating sets with Iveco water-cooled diesel engine, Stage II, 1500rpm, 50Hz, 4 stroke

60kVA

Article code	TYPE	Price in EURO (ex. VAT)	kVA max. (50Hz)	kVA cont.	Amp.		Engine IVECO (EU Stage II)	Cil.	Electronic speed governor	kW max.	cm³	Tank (l)	Cons. @ 75% load (l/h)	Autonomy @ 75% load (h)	Battery voltage (V)	Alternator	Version	Dimensions (cm)	kg	dB(A) @ 7m	LWA
		Alternator			1 ~ 230V	3 ~ 400V															
783106023	EPSR60TDE	23620 (LS)	66	60	87	87	NEF N45SM1A	4	Option	59	4500	520	10.2	51	12	LSA42.3L9 AREP	B15-Amp3-AREP-AVR-BFT-DH-DSE-E1-ES-FFPM-FH-FIA-FLM-FPM-GALV-h-Hz-LE-LFLS2-LS2-MS-ODP-OP-PC-PI-T+TC-TE-TM2-TP-V-VS-WSFP	285x110x206	1720	62	87
793106023	EPSR60TDE	23400 (MA)	66	60	87	87	NEF N45SM1A	4	Option	59	4500	520	10.2	51	12	ECP32-2M/4	B15-Amp3-AVR-BFT-DH-DSE-E1-ES-FFPM-FH-FIA-FLM-FPM-GALV-h-Hz-LE-LFLS2-MS-ODP-OP-PC-PI-T+TC-TE-TM2-TP-V-VS-WSFP	285x110x206	1787	62	87

Europower rental silenced generating sets from 85 to 250kVA with Volvo water-cooled diesel engine, Stage II, 1500rpm, 50Hz, 4 stroke

85 - 250kVA

Article code	TYPE	Price in EURO (ex. VAT)	kVA max. (50Hz)	kVA cont.	Amp.		Engine VOLVO (EU Stage II)	Cil.	Electronic speed governor	kW max.	cm³	Tank (l)	Cons. @ 75% load (l/h)	Autonomy @ 75% load (h)	Battery voltage (V)	Alternator	Version	Dimensions (cm)	kg	dB(A) @ 7m	LWA
		Alternator			1 ~ 230V	3 ~ 400V															
780108523	EPSR85TDE	29200 (LS)	94	85	122	123	TAD530GE	4	Option	83	4760	520	14.5	35.9	12	LSA44.3S4 AREP	B15-Amp3-AREP-AVR-BFT-CLS-DH-DSE-E1-ES-FFPM-FH-FIA-FLM-FPM-GALV-h-Hz-LE-LFLS2-LS2-MS-ODP-OP-PC-PI-T+TC-TE-TM2-TP-V-VS-WSFP	285x110x206	2037	70	95
790108523	EPSR85TDE	28165 (MA)	94	85	122	123	TAD530GE	4	Option	83	4760	520	14.5	35.9	12	ECP34-1S/4	B15-Amp3-AVR-BFT-CLS-DH-DSE-E1-ES-FFPM-FH-FIA-FLM-FPM-GALV-h-Hz-LE-LFLS2-MS-ODP-OP-PC-PI-T+TC-TE-TM2-TP-V-VS-WSFP	285x110x206	2090	70	95
780110023	EPSR100TDE	29600 (LS)	110	100	143	144	TAD531GE	4	Option	96	4760	520	17.1	30.4	12	LSA44.3S5 AREP	B15-Amp3-AREP-AVR-BFT-CLS-DH-DSE-E1-ES-FFPM-FH-FIA-FLM-FPM-GALV-h-Hz-LE-LFLS2-LS2-MS-ODP-OP-PC-PI-T+TC-TE-TM2-TP-V-VS-WSFP	285x110x206	2047	70	95
790110023	EPSR100TDE	28800 (MA)	110	100	152	144	TAD531GE	4	Option	96	4760	520	17.1	30.4	12	ECP34-2S/4	B15-Amp3-AVR-BFT-CLS-DH-DSE-E1-ES-FFPM-FH-FIA-FLM-FPM-GALV-h-Hz-LE-LFLS2-MS-ODP-OP-PC-PI-T+TC-TE-TM2-TP-V-VS-WSFP	285x110x206	2100	70	95
780113023	EPSR130TDE	34620 (LS)	143	130	188	188	TAD730GE	6	Option	124	7150	910	21.8	41.7	12	LSA44.3M8 AREP	B15-Amp3-AREP-AVR-BFT-CLS-DH-DSE-E1-ES-FFPM-FH-FIA-FLM-FPM-GALV-h-Hz-LE-LFLS2-LS2-MS-ODP-OP-PC-PI-T+TC-TE-TM2-TP-V-VS-WSFP	329x118x221	2578	72	97
790113023	EPSR130TDE	33775 (MA)	143	130	188	188	TAD730GE	6	Option	124	7150	910	21.8	41.7	12	ECP34-1L/4	B15-Amp3-AVR-BFT-CLS-DH-DSE-E1-ES-FFPM-FH-FIA-FLM-FPM-GALV-h-Hz-LE-LFLS2-MS-ODP-OP-PC-PI-T+TC-TE-TM2-TP-V-VS-WSFP	329x118x221	2620	72	97
780115023	EPSR150TDE	37220 (LS)	165	150	217	217	TAD731GE	6	Option	145	7150	910	25.7	35.4	12	LSA44.3L10 AREP	B15-Amp3-AREP-AVR-BFT-CLS-DH-DSE-E1-ES-FFPM-FH-FIA-FLM-FPM-GALV-h-Hz-LE-LFLS2-LS2-MS-ODP-OP-PC-PI-T+TC-TE-TM2-TP-V-VS-WSFP	329x118x221	2608	72	97
790115023	EPSR150TDE	35350 (MA)	165	150	217	217	TAD731GE	6	Option	145	7150	910	25.7	35.4	12	ECP34-2L/4	B15-Amp3-AVR-BFT-CLS-DH-DSE-E1-ES-FFPM-FH-FIA-FLM-FPM-GALV-h-Hz-LE-LFLS2-MS-ODP-OP-PC-PI-T+TC-TE-TM2-TP-V-VS-WSFP	329x118x221	2670	72	97
780118023	EPSR180TDE	41705 (LS)	198	180	261	260	TAD732GE	6	Standard	179	7150	1220	30.6	39.9	24	LSA46.3S2 AREP	B16-Amp3-AREP-AVR-BFT-CLS-DH-DSE-E1-Erpm-ES-FFPM-FH-FIA-FLM-FPM-GALV-h-Hz-LE-LFLS2-LS2-MS-ODP-OP-PC-PI-T+TC-TE-TM2-TP-V-VS-WSFP	360x123x256	2950	72	97
790118023	EPSR180TDE	41210 (MA)	198	180	261	260	TAD732GE	6	Standard	179	7150	1220	30.6	39.9	24	ECO38-1SN/4	B16-Amp3-AVR-BFT-CLS-DH-DSE-E1-Erpm-ES-FFPM-FH-FIA-FLM-FPM-GALV-h-Hz-LE-LFLS2-MS-ODP-OP-PC-PI-T+TC-TE-TM2-TP-V-VS-WSFP	360x123x256	2950	72	97
780120023	EPSR200TDE	44430 (LS)	220	200	287	289	TAD733GE	6	Standard	195	7150	1220	33.8	36.1	24	LSA46.3S3 AREP	B16-Amp3-AREP-AVR-BFT-CLS-DH-DSE-E1-Erpm-ES-FFPM-FH-FIA-FLM-FPM-GALV-h-Hz-LE-LFLS2-LS2-MS-ODP-OP-PC-PI-T+TC-TE-TM2-TP-V-VS-WSFP	360x123x256	3000	72	97
790120023	EPSR200TDE	43370 (MA)	220	200	287	289	TAD733GE	6	Standard	195	7150	1220	33.8	36.1	24	ECO38-2S/4	B16-Amp3-AVR-BFT-CLS-DH-DSE-E1-Erpm-ES-FFPM-FH-FIA-FLM-FPM-GALV-h-Hz-LE-LFLS2-MS-ODP-OP-PC-PI-T+TC-TE-TM2-TP-V-VS-WSFP	360x123x256	3000	72	97
780125023	EPSR250TDE	47945 (LS)	275	250	361	361	TAD734GE	6	Standard	239	7150	1220	41.9	29.1	24	LSA46.3S5 AREP	B16-Amp3-AREP-AVR-BFT-CLS-DH-DSE-E1-Erpm-ES-FFPM-FH-FIA-FLM-FPM-GALV-h-Hz-LE-LFLS2-LS2-MS-ODP-OP-PC-PI-T+TC-TE-TM2-TP-V-VS-WSFP	360x123x256	3320	72	97
790125023	EPSR250TDE	46220 (MA)	275	250	361	361	TAD734GE	6	Standard	239	7150	1220	41.9	29.1	24	ECO38-1LN/4	B16-Amp3-AVR-BFT-CLS-DH-DSE-E1-Erpm-ES-FFPM-FH-FIA-FLM-FPM-GALV-h-Hz-LE-LFLS2-MS-ODP-OP-PC-PI-T+TC-TE-TM2-TP-V-VS-WSFP	360x123x256	3320	72	97

Europower welders with gasoline and diesel engines, 3000rpm, 50Hz, 4 stroke

170 - 400A

Article code	TYPE	Price in EURO (ex. VAT)	Amp.		Max. Ø electrode (mm)	Alternator kVA cont.		Engine (EU Stage)	HP max.	kW max.	cm³	Tank (l)	Cons. @ 75% load (l/h)	Auto-nomy @ 75% load (h)	Version	Dimensions (cm)	kg	dB(A) @ 7m	LWA		
			Alternator	@ 35% d.c.		@ 60% d.c.	1 ~ 230V														
950001904	EP200X1	1645 (S)	200 AC	150 AC	4	5.4	-	Honda GX390 (V)	11.1	8.2	389	6.1	2.4	2.5	A-F-O-R-Th	83x55x60	90	72	97	Gasoline	
950002104	EP200X2	1790 (S)	200 DC	140 DC	4	4	-	Honda GX390 (V)	11.1	8.2	389	6.1	2.4	2.5	A-F-O-R-Th	83x55x60	90	72	97		
950002107	EP200X2-25	2145 (S)	200 DC	140 DC	4	4	-	Honda GX390 (V)	11.1	8.2	389	25	2.4	10.4	A-AC-F-FG-h-O-R-TM-V	80x58x63	115	71	96		
950002004	EP200X	1850 (S)	200 DC	150 DC	4	3.5	6.5	Honda GX390 (V)	11.1	8.2	389	6.1	2.4	2.5	B-F-O-R-Th	83x55x60	90	72	97		
950002008	EP200X-25	2175 (S)	200 DC	150 DC	4	3.5	6.5	Honda GX390 (V)	11.1	8.2	389	25	2.4	10.4	B-AC-F-FG-h-O-R-TM-V	80x58x63	115	71	96		
950002605	EP250XE	3990 (S)	250 DC	220 DC	5	3	8	Honda GX630 (V)	19	14	688	20	4.2	4.8	B17-E-F-FI2-FPm-h-O-TM	88x55x72	160	75	*		
950003105	EP300XE	4480 (S)	280 DC	220 DC	6	3	8	Honda GX690 (V)	20	15	688	20	5	4	B17-E-F-FI2-FPm-h-O-TM	88x55x72	164	75	*		
957004005	EP400XE	6590 (S)	350 DC	300 DC	6	4	10	B&S Vanguard 543477 (NE)	28	21	895	20	6	3.3	B17-E1-F-FI2-FPm-h-OP-TM	120x64x72	210	77	*		
953011704	EP170DX1	2390 (S)	170 AC	150 AC	4	4.9	-	Yanmar L100V (V)	8.6	6.3	435	5.4	1.8	3	A-F-FG-R-Th	83x55x60	105	83	*		
953011705	EP170DX1E	2815 (S)	170 AC	150 AC	4	4.9	-	Yanmar L100V (V)	8.6	6.3	435	5.4	1.8	3	A-E-F-FG-OL-R-Th	83x55x60	120	83	*		
953011804	EP180DX2	2490 (S)	180 DC	140 DC	4	4	-	Yanmar L100V (V)	8.6	6.3	435	5.4	1.8	3	A-F-FG-R-Th	83x55x60	110	83	*		
953011805	EP180DX2E	2915 (S)	180 DC	140 DC	4	4	-	Yanmar L100V (V)	8.6	6.3	435	5.4	1.8	3	A-E-F-FG-OL-R-Th	83x55x60	120	83	*		
953011904	EP180DX	2550 (S)	180 DC	150 DC	4	3.5	5.5	Yanmar L100V (V)	8.6	6.3	435	5.4	1.8	3	B-F-FG-R-Th	83x55x60	110	83	*		
953011905	EP180DXE	2975 (S)	180 DC	150 DC	4	3.5	5.5	Yanmar L100V (V)	8.6	6.3	435	5.4	1.8	3	B-E-F-FG-OL-R-Th	83x55x60	120	83	*		
955012004	EP200DX1	2990 (S)	200 AC	150 AC	4	5.4	-	Hatz 1B40U-4 (V)	9.7	7.1	462	5	1.9	2.6	A-F-R-Th	83x55x60	105	83	*		
955012005	EP200DX1E	3570 (S)	200 AC	150 AC	4	5.4	-	Hatz 1B40U-4 (V)	9.7	7.1	462	5	1.9	2.6	A-E-F-OL-R-Th	83x55x60	120	83	*		
955012104	EP200DX2	3085 (S)	200 DC	140 DC	4	4	-	Hatz 1B40U-4 (V)	9.7	7.1	462	5	1.9	2.6	A-F-R-Th	83x55x60	110	83	*		
955012105	EP200DX2E	3665 (S)	200 DC	140 DC	4	4	-	Hatz 1B40U-4 (V)	9.7	7.1	462	5	1.9	2.6	A-E-F-OL-R-Th	83x55x60	125	83	*		
955012204	EP220DX	3150 (S)	200 DC	150 DC	4	3.5	6.5	Hatz 1B40U-4 (V)	9.7	7.1	462	5	1.9	2.6	B-F-R-Th	83x55x60	120	83	*		
955012205	EP220DXE	3730 (S)	200 DC	150 DC	4	3.5	6.5	Hatz 1B40U-4 (V)	9.7	7.1	462	5	1.9	2.6	B-E-F-OL-R-Th	83x55x60	135	83	*		
951012305	EPS230DXE	6995 (S)	200 DC	150 DC	4	3.5	6.5	Kubota D722 (V)	17	12	719	58	2.9	20	B3-E1-ES-FG-FI4-FP-h-LE-MS-ODP-OP-TM-TP-V	138x64x80	350	65	90	Water-cooled	
951013005	EPS300DXE	8800 (S)	280 DC	220 DC	6	3	8	Kubota D1105 (V)	26	19	1123	63	3.5	18	B10-E1-ES-FG-FI4-FP-h-LE-MS-ODP-OP-TM-TP-V	150x64x90	460	67	92		
951014005	EPS400DXE	10900 (S)	400 DC	300 DC	6	4	10	Kubota V1505 (TE IIIA)	36	27	1498	73	6.1	12	B10-E1-ES-FG-FI4-FP-h-LE-MS-ODP-OP-TM-TP-V	170x74x100	570	68	93		

Generators with * cannot be used outdoors in the EU. For applications of generating sets indoors, or if you want to integrate these generators in vehicles, please contact us.

Europower **standard, EN1 and EN2 welders** with Honda air-cooled gasoline engine, 3000rpm, 50Hz, 4 stroke

Article code	TYPE	Price in EURO (ex. VAT)	Amp.		Max. Ø electrode (mm)	Alternator kVA cont.		Engine HONDA (EU Stage)	HP max.	kW max.	cm³	Tank (l)	Cons. @75% load (l/h)	Autonomy @75% load (h)	Version	Dimensions (cm)	kg	dB(A) @ 7m	LWA
			Alternator	@35% d.c.		@60% d.c.	1 ~ 230V												
950001904	EP200X1	1645 (S)	200 AC	150 AC	4	5.4	-	GX390 (V)	11.1	8.2	389	6.1	2.4	2.5	A-F-O-R-Th	83x55x60	90	72	97
SA0951894	EP200X1-EN1	1525 (S)	200 AC	150 AC	4	5.4	-	GX390 (V)	11.1	8.2	389	6.1	2.4	2.5	A-F-O-R-Th	83x55x60	90	75	*
SA0951904	EP200X1-EN2	- (S)	200 AC	150 AC	4	5.4	-	GX390 (NE)	11.1	8.2	389	6.1	2.4	2.5	A-F-O-R-Th	83x55x60	90	75	**
950002104	EP200X2	1790 (S)	200 DC	140 DC	4	4	-	GX390 (V)	11.1	8.2	389	6.1	2.4	2.5	A-F-O-R-Th	83x55x60	90	72	97
SA0952094	EP200X2-EN1	1670 (S)	200 DC	140 DC	4	4	-	GX390 (V)	11.1	8.2	389	6.1	2.4	2.5	A-F-O-R-Th	83x55x60	90	75	*
SA0952104	EP200X2-EN2	- (S)	200 DC	140 DC	4	4	-	GX390 (NE)	11.1	8.2	389	6.1	2.4	2.5	A-F-O-R-Th	83x55x60	90	75	**
950002004	EP200X	1850 (S)	200 DC	150 DC	4	3.5	6.5	GX390 (V)	11.1	8.2	389	6.1	2.4	2.5	B-F-O-R-Th	83x55x60	90	72	97
SA0951994	EP200X-EN1	1730 (S)	200 DC	150 DC	4	3.5	6.5	GX390 (V)	11.1	8.2	389	6.1	2.4	2.5	B-F-O-R-Th	83x55x60	90	75	*
SA0952004	EP200X-EN2	- (S)	200 DC	150 DC	4	3.5	6.5	GX390 (NE)	11.1	8.2	389	6.1	2.4	2.5	B-F-O-R-Th	83x55x60	90	75	**

LWA All generators with LWA value are compliant with all CE-regulations (machine directive, EMC directive, low tension directive, CE-noise level directive 2000/14/EC, European exhaust gas regulation Stage 5). They can be used outdoors in the E.U.

* = Generators compliant with all CE-regulations, except the CE-noise level directive 2000/14/EC. Generators cannot be used outdoors in the E.U. For applications of generating sets indoors, or if you want to integrate these generating sets in vehicles, please contact us.

** = Generators not compliant with CE-noise level directive 2000/14/EC and not compliant with European exhaust gas regulation Stage 5.

OPTIONS FOR AIR-COOLED GENERATING SETS 3000rpm		Price in EURO (ex. VAT)
Nr.	Description	
	1a 4-wheel kit (2 to 16kVA/up to max. 154kg)	69
	1b 2-wheel kit (2 to 16kVA/up to max. 154kg)	110
	1c Surcharge for pneumatics per axle for option 1a and 1b	13
	2a 2-wheel kit with pneumatic wheels 300mm for EP16000E/EP20000TE	190
	2b 2-wheel kit with pneumatic wheels 250mm for EPG10000/EPG12000TE/EPG12000E/EPG15000TE	430
	3 4-wheel kit with 4 swivel castors of which 2 with locking device (only for EPS models)	180
	4a 2 lifting bars (till max. 100kg)	79
	4b 2 lifting eyes (only for EPS models)	90
	5a AVR control (automatic voltage regulator) from 3 up to 8kVA	140
	5b AVR control (automatic voltage regulator) from 10 up to 16kVA	245
	6 Thermal magnetic protection 1 x 230V	98
	7 Thermal magnetic protection 3 x 400V	155
	8 Earth leakage protection, type A, 1 x 230V (30mA) (except for EP3300-11)	170
	9 Earth leakage protection, type A, 3 x 400V (30mA)	195
	10 Earth pin with 4 meter earth-cable 16mm ²	36
	11a Insulation protection "IB-Protector" 230V with thermal magnetic protection	470
NEW	11b Insulation protection Bender IR423-D43-2, 230V, with thermal magnetic protection	845
	12a Insulation protection "IB-Protector" 400V with thermal magnetic protection	515
NEW	12b Insulation protection Bender IR423-D43-2, 400V, with thermal magnetic protection	890
	13a Star-delta switch 20A 230/400V, CEE-socket 5P 16A 230V included (up to 8,5kVA standard types, other types on request)	435
	13b Star-delta switch 32A 230/400V, CEE-socket 5P 32A 230V included (up to 16kVA standard types, other types on request)	550
	14 Hour counter	98
	15 Voltmeter	100
	16 Volt- and ammeter 1 x 230V	175
	17 Voltmeter, ammeter and frequency meter 1 x 230V	275
	18 Voltmeter with voltmeter switch and 3 ammeters 3 x 400V	420
	19 Voltmeter with voltmeter switch, 3 ammeters and frequency meter 3 x 400V	525
	20 12 Volt DC (10A) battery charger for generators up to 7kVA / 230V with thermal magnetic protection	135
	21 Remote control 5m (Honda petrol engines/electric start) incl. option 25	510
	22 Remote control 5m (diesel engines/electric start) incl. option 26	510
	23 Remote control, wireless, up to 50m (petrol + diesel engines/electric start) excl. options 25/26	650
	24 ECO-throttle (Automatic Idle System) - different types on request	on request
	25 Electric choke (for gasoline generators with Honda + B&S Vanguard engine/electric start)	245
	26a Stop solenoid Hatz 1B types diesel/electric start	245
	26b Stop solenoid Yanmar L70/100 diesel/electric start	245
	27 Manual switch mains/0/generator 20A 4-poles, in plastic box, not assembled (10kVA 230V / 15kVA 400V)	65
	28 Automatic Start/Stop System in case of mains failure (up to 9kVA 230V or 17kVA 400V), with single phase mains control, supplied in TN-S earthing system, including earth leakage protection and thermal magnetic protection, with 3 meter cable, excl. option 25/26 and 30, without standard control panel on generator! See also p.18	1090
	29 Automatic Start/Stop System in case of mains failure (up to 16kVA 230V or 31kVA 400V), with single phase mains control, supplied in TN-S earthing system, including earth leakage protection and thermal magnetic protection, with 3 meter cable, excl. option 25/26 and 30, without standard control panel on generator! See also p.18	1385
	30 Module "three-phase mains control" for option 28 and 29	206
	31 Automatic Start/Stop System via external contact (excl. option 25/26). See also p.18	520
	32 Battery controller unit 12V (only to be combined with option 31)	480
	33 Automatic Start/Stop System on demand (excl. option 25/26)	990
	34 Oil pan heater 230V	284
	35 Kit jerrycan 20 liter with carrier frame and membrane pump (GX270/390)	326
	36 Large tank (stainless steel) 11 liter (GX160/200) - 20 liter (GX270/390) in frame	345
	37 Flexible exhaust tube 2m (adapter for muffler included)	98
	38 LPG / propane version for Honda GX160/200/270/390 recoil start (regulator included)	388
	39a LPG / propane version for Honda GX160/270/390 electric start (regulator included)	795
	39b LPG / propane version for Honda GX690H-VXC4 electric start (regulator included) - EP9000GE + EP11000GTE	985
	40 Welding cables 25mm ² (2 x 5m) for AC welding generators	105
	41 Welding cables 35mm ² (2 x 5m) for DC welding generators up to 250A	125
	42 Welding cables 50mm ² (2 x 10m) for DC welding generators up to 300A	235
	43 Protection cover (red / up to 16kVA, standard types, open frame)	on request
	44 Oil drain pump (only for EPS models)	160
	45 Europower sirometer (mechanical revolution counter / frequency meter) for after sales service	15
	46 T-shirt Europower	5

Other options on request

OPTIONS FOR WATER-COOLED GENERATING SETS WITH KUBOTA ENGINE		Price in EURO (ex. VAT)
Nr.	Description	
	100 Trailer for New Boy EPS73DE/EP83TDE/EP103DE/EP113TDE/EP230DXE (single axle, unbraked)	1150
	101 Braked trailer for EP183TDE/EP300DXE/EP243TDE/EP400DXE/EP14TDE/EP20TDE/EP20TDE (single axle)	2190
	102a Braked trailer for EP20TDE/EP34TDE/EP44TDE (twin-axle)	2450
	102b Braked trailer for EP34TDE/EP44TDE (twin-axle)	2750
	103 4-wheel kit for generating sets New Boy	410
	104 Forklift kit for generating sets from 7 till 44kVA	110
	105a Large tank for New Boy with Z482 (53 liter) / D722 + D902 (58 liter) engine	135
	105b Large fuel tank, 150 Liter, banded, for EP8DE/EP9TDE/EP163DE/EP183TDE/EP300DXE	1660
	105c Large fuel tank, 400 Liter, banded, for all "EPS" TYPES till 44kVA	2440
	105d 258 Liter fuel tank (72h at full load) for EP11-3TDE	940
	105e 368 Liter fuel tank (72h at full load) for EP20TDE	1140
NEW	105f 732 Liter fuel tank (72h at full load) for EP34TDE / EP44TDE / EP20TDE	1340
	106a Three-way cocks for connection to external fuel tank, quick couplings included	360
	106b Stronger fuel pump (12V DC) for option 106a	265
	107a Minimum fuel level switch with control lamp	85
	107b Liquid level switch (alarm) in chassis (bund) for EP11-3TDE, EP20TDE/EP34TDE/EP44TDE	95
	108a Leroy Somer LSA40 and LSA42.3 alternator protection "system 4" for severe industrial environment, marine environment and coastal area without projections, relative humidity > 95% (for EP(S)(R)20/34/44TDE)	300
	108b Leroy Somer LSA40 and LSA42.3 alternator protection "system 6" for corrosive industrial environment, marine environment and coastal area with projections, relative humidity > 95% (for EP(S)(R)20/34/44TDE)	986
	108c Glass fiber winding (25% derate) for LSA40 and LSA42.3	on request
	109 Battery charger DSE9150 12V 3A (including 230V male socket in control panel) for EP11-3TDE, EP20TDE/EP34TDE/EP44TDE	129
	110 Battery on/off switch	195
	111a Insulation protection "IB-Protector"	415
	111b Insulation protection Bender IR423-D43-2	615
NEW	111c Insulation protection Bender ISORW425-D4W-4 (for sensitive equipment with frequency-controlled drives)	1315
NEW	111d Sensitive residual current monitor (up to 24kVA): earth leakage protection, type B, 40A, 30mA, 4P (181004440)	410
NEW	111e Sensitive residual current monitor (up to 40kVA): earth leakage protection, type B, 63A, 30mA, 4P (181004463)	760
	112 Ammeter	55
	113 Frequency meter	93
	114 Voltmeter switch	102
	115 Remote control 5m (all types till 24kVA)	265
	116 Remote control for EP30DE/EP34TDE/EP44TDE/EP11-3TDE/EP20TDE/EP34TDE/EP44TDE, cable not included	58
	117a Remote control, wireless, till 50m (all types till 24kVA)	650
	117b Remote control, wireless, till 50m (for EP30DE/EP34TDE/EP44TDE/EP11-3TDE/EP20TDE/EP34TDE/EP44TDE)	240
	118 Star-delta switch 32A 230/400V (up to 14kVA), CEE-socket 32A 5p 230V included	550
	119 Star-delta switch 63A 230/400V (up to 24kVA), CEE-socket 63A 5p 230V included	820
	120 ECO-throttle (Automatic Idle System) - different types on request	on request
	121a Manual switch mains/0/generator 32A 4-poles, in plastic box, not assembled	120
	121b Manual switch mains/0/generator 63A 4-poles, in plastic box, not assembled	235
NEW	121c Manual switch mains/0/generator 100A 4-poles, in plastic box, not assembled	423
	123 Automatic Start/Stop System in case of mains failure (up to 9kVA 230V or 17kVA 400V), with single phase mains control, supplied in TN-S earthing system, including earth leakage protection and thermal magnetic protection, with 3 meter cable, excl. option 130, without standard control panel on generator! See also p.18	1090
	124 Automatic Start/Stop System in case of mains failure (up to 16kVA 230V or 31kVA 400V), with single phase mains control, supplied in TN-S earthing system, including earth leakage protection and thermal magnetic protection, with 3 meter cable, excl. option 130, without standard control panel on generator! See also p.18	1385
	125 Automatic Start/Stop System in case of mains failure (up to 22kVA 230V or 42kVA 400V), with single phase mains control, supplied in TN-S earthing system, including earth leakage protection and thermal magnetic protection, with 3 meter cable, excl. option 130, without standard control panel on generator! See also p.18	1540
	126 Automatic Start/Stop System in case of mains failure (up to 46kVA 230V or 87kVA 400V), with single phase mains control, supplied in TN-S earthing system, including earth leakage protection and thermal magnetic protection, with 3 meter cable, excl. option 130, without standard control panel on generator! See also p.18	2045
	127 Remote monitoring (web-based control) by DSE890 for laptop / PC / smart phone / tablet (for EP30DE/EP34TDE/EP44TDE/EP11-3TDE/EP20TDE/EP34TDE/EP44TDE)	650
	128 GSM 3G antenna for option 127	63
	129 GPS antenna for option 127	90
	130 Module "three-phase mains control" for option 123, 124, 125 and 126	206
	131a Automatic Start/Stop System with PDM1 or DSE3110 via external contact. See also p.18	520
	131b Automatic Start/Stop System with DSE4520 via external contact.	660
	132 Battery controller unit 12V (only to be combined with option 131)	470
	133 Automatic Start/Stop System on demand	990
	134 Oil pan heater 230V	296
	135 Coolant heater for generating sets with Z482/D722/D902/D1105/V1505/D1703/V2203/V3300/V3800DIT engine	310
	136a Minimum water level switch for coolant expansion tank	98
	136b Minimum level switch for radiator coolant	204
	136c Automatic engine oil level maintainer (Murphy LM500-TF), oil tank included (for EP20TDE/ EP34TDE/EP44TDE)	1275
	137 Spark arrestors (ATEX approved or Non-ATEX approved)	on request
	138 Chalwyn valve (air intake shut down valve)	on request
	139 Welding cables 35mm ² (2 x 5m) for welder EP230DXE	125
	140 Welding cables 50mm ² (2 x 10m) for welder EP230DXE, EP300DXE and EP400DXE	235
	141a Special RAL color for EPS / EP34TDE / EP44TDE versions (silenced)	210
	141b Extra epoxy primer coating before polyester final coating, for EPS / EP34TDE / EP44TDE versions (silenced)	on request

Other options on request

OPTIONS FOR EP OPEN WATER-COOLED GENERATING SETS WITH IVECO / VOLVO ENGINE			Price in EURO (ex. VAT)
Nr.	Description		
	201a	Leroy Somer LSA44.3 alternator protection "system 4" for severe industrial environment, marine environment and coastal area without projections, relative humidity > 95% (for EP85/100/130/150TDE)	300
	201b	Leroy Somer LSA46.2 alternator protection "system 4" for severe industrial environment, marine environment and coastal area without projections, relative humidity > 95% (for EP180/200/250/275/325TDE)	558
	202a	Leroy Somer LSA44.3 alternator protection "system 6" for corrosive industrial environment, marine environment and coastal area with projections, relative humidity > 95% (for EP85/100/130/150TDE)	986
	202b	Leroy Somer LSA46.2 alternator protection "system 6" for corrosive industrial environment, marine environment and coastal area with projections, relative humidity > 95% (for EP180/200/250/275/325TDE)	1552
	203	Glass fiber winding (25% derate) for LSA44.3 and LSA46.2	on request
	204a	Anti-condensation resistor / space heater in LSA44.3 alternator (for EP85/100/130/150TDE)	250
	204b	Anti-condensation resistor / space heater in LSA46.2 alternator (for EP180/200/250/275/325TDE)	258
	205	60Hz version	on request
	206	Viscous fan clutch for EP180/200/250TDE-3A (variable fan speed depending on coolant temperature)	1960
	207a	Electronic speed governor "GAC" for EP60TDE	1350
	207b	Electronic speed governor "EDC4" for EP85TDE/EP100TDE/EP150TDE (Stage 2)	730
	208a	24V starting system for EP85TDE / EP100TDE / EP130TDE / EP150TDE (Stage 2)	360
	208b	12V starting system for EP180TDE / EP200TDE (Stage 2)	95
	209	Remote control, wireless, up to 50m	240
	210	Forklift kit (2 pockets) for open type generating sets from 60 till 325kVA	145
	211	Lifting eyes	on request
	212a	Price reduction for version without fuel tank (up to 250kVA)	on request
	212b1	Fuel tank 535 litres for EP315/410TDE	975
	212b2	Fuel tank 722 litres for EP500/600TDE	1075
	212b3	Larger fuel tanks	on request
	212c	Automatic fuel tank filling system (from external fuel tank)	on request
	213	Three-way cocks for connection to external fuel tank, with quick couplings	360
	214	Automatic engine oil level maintainer (Murphy LM500-TF)	on request
	215a	Battery charger DSE9150 12V 3A (including 230V male socket in control panel)	129
	215b	Battery charger DSE9255 24V 5A (including 230V male socket in control panel)	189
	216	Low fuel level switch	75
	217	Battery on/off switch	195
	218	Earth leakage protection, type A (30-350mA / 0-10s.)	220
	220	Electric fuel level meter (analogue instrument) with sensor	110
	221	Electric cooling water temperature meter (analogue instrument) with sensor	115
	222	Electric oil pressure meter (analogue instrument) with sensor	152
	223a	Manual switch mains/0/generator 160A 4-poles, in metal box, not assembled	565
	223c	Manual switch mains/0/generator 250A 4-poles, in metal box, not assembled	750
	223e	Manual switch mains/0/generator 400A 4-poles, in metal box, not assembled	895
	223g	Manual switch mains/0/generator 800A 4-poles, in metal box, not assembled	1845
	224a	Automatic Start/Stop System in case of mains failure (up to 87kVA 400V - TM = 125A) (expansion kit with ATS (Automatic Transfer Switch) + battery charger + 5m of cable)	1980
	224b	Automatic Start/Stop System in case of mains failure (up to 111kVA 400V - TM = 120 to 160A) (expansion kit with ATS (Automatic Transfer Switch) + battery charger + 5m of cable)	2615
	224c	Automatic Start/Stop System in case of mains failure (up to 138kVA 400V - TM = 160 to 200A) (expansion kit with ATS (Automatic Transfer Switch) + battery charger + 5m of cable)	2995
	224d	Automatic Start/Stop System in case of mains failure (up to 173kVA 400V - TM = 200 to 250A) (expansion kit with ATS (Automatic Transfer Switch) + battery charger + 5m of cable)	4180
	224e	Automatic Start/Stop System in case of mains failure (up to 277kVA 400V - TM = 250 to 400A) (expansion kit with ATS (Automatic Transfer Switch) + battery charger + 5m of cable)	4585
	224f	Automatic Start/Stop System in case of mains failure (up to 436kVA 400V - TM = 400 to 630A) (expansion kit with ATS (Automatic Transfer Switch) + battery charger + 5m of cable)	5310
	224g	Automatic Start/Stop System in case of mains failure (up to 554kVA 400V - TM = 320 to 800A) (expansion kit with ATS (Automatic Transfer Switch) + battery charger + 5m of cable)	5585
	224h	Automatic Start/Stop System in case of mains failure (up to 692kVA 400V - TM = 400 to 1000A) (expansion kit with ATS (Automatic Transfer Switch) + battery charger + 5m of cable)	8330
	225a	Remote monitoring (web-based control) by DSE890 for laptop / PC / Smart Phone / Tablet	650
	225b	GSM 3G antenna for option 225a	63
	225c	GPS antenna for option 225a	90
	226	Parallel operation for generators, with or without mains	on request
	227	Air intake preheating 12V or 24V/3kW for Volvo engines TAD5xx/7xx/13xx/16xxGE	495
	228	Oil pan heater 230V	284
NEW	229	Coolant heater 230V/1500W (with 12V thermostat) for generating sets with Iveco NEF N45SM1 engines	680
	229a	Coolant heater 230V/600W (with 12V thermostat) for generating sets with Volvo engines TAD530-733GE	447
	229b	Coolant heater 230V/600W (with 24V thermostat) for generating sets with Volvo engines TAD5x0-7x3GE	457
	229c	Coolant heater 230V/600W (with thermostat) for generating sets with Volvo engines TAD7x4GE	345
	230	Fuel filter heater 12V or 24V (with thermostat)	on request
	231	Exhaust flexible pipes	on request
	232	Spark arrestors (ATEX approved or Non-ATEX approved)	on request
	232b	Chalwyn valve (air intake shut down valve)	on request
	234	Special RAL color for EP versions	210
	235	Spare parts kits	on request

Other options on request




OPTIONS FOR EPS SILENT WATER-COOLED GENERATING SETS WITH IVECO / VOLVO ENGINE			Price in EURO (ex. VAT)
Nr.	Description		
	301a	Leroy Somer LSA44.3 alternator protection "system 4" for severe industrial environment, marine outside and coastal area without projections, relative humidity > 95% (for EPS85/100/130/150TDE)	300
	301b	Leroy Somer LSA46.2 alternator protection "system 4" for severe industrial environment, marine outside and coastal area without projections, relative humidity > 95% (for EPS180/200/250TDE)	558
	302a	Leroy Somer LSA44.3 alternator protection "system 6" for corrosive industrial environment, marine environment and coastal area with projections, relative humidity > 95% (for EPS85/100/130/150TDE)	986
	302b	Leroy Somer LSA46.2 alternator protection "system 6" for corrosive industrial environment, marine environment and coastal area with projections, relative humidity > 95% (for EPS180/200/250TDE)	1552
	303	Glass fiber winding (25% derate) for LSA44.3 and LSA46.2	on request
	304a	Anti-condensation resistor / space heater in LSA44.3 alternator (for EPS85/100/130/150TDE)	250
	304b	Anti-condensation resistor / space heater in LSA46.2 alternator (for EPS180/200/250TDE)	258
	305	60Hz version	on request
	306	Viscous fan clutch for EPS180/200/250TDE-3A (variable fan speed depending on coolant temperature)	1960
	307a	Electronic speed governor "GAC" for EPS60TDE	1350
	307b	Electronic speed governor "EDC4" for EPS85TDE / EPS100TDE / EPS130TDE / EPS150TDE (Stage 2)	730
	308a	24V starting system for EPS85TDE / EPS100TDE / EPS130TDE / EPS150TDE (Stage 2)	360
	308b	12V starting system for EPS180TDE / EPS200TDE (Stage 2)	95
	309	Remote control, wireless, up to 50m	240
	310	Forklift kit (4 pockets) for EPS generating sets from 60 till 250kVA	360
	311	Liquid level switch (alarm) in chassis (bund)	90
	312a	Price reduction for version without fuel tank (up to 250 kVA)	on request
	312b1	Fuel tank 535 litres for EPS315/410TDE	975
	312b2	Fuel tank 722 litres for EPS500/600TDE	1075
	312b3	Larger fuel tanks	on request
	312c	Automatic fuel tank filling system (from external fuel tank)	on request
	313	Three-way cocks for connection to external fuel tank, with quick couplings	360
	314	Automatic engine oil level maintainer (Murphy LM500-TF), oil tank included	1236
	315a	Battery charger DSE9150 12V 3A (including 230V male socket in control panel)	129
	315b	Battery charger DSE9255 24V 5A (including 230V male socket in control panel)	189
	317	Battery on/off switch	195
	318a	Sensitive residual current monitor: earth leakage protection, type B, Bender RCMA423-D-2 (with measuring current transformer) for 100kVA	990
	318b	Sensitive residual current monitor: earth leakage protection, type B, Bender RCMA423-D-2 (with measuring current transformer) for 250kVA	1120
	318c	Sensitive residual current monitor: earth leakage protection, type B, Bender RCMA423-D-2 (with measuring current transformer) for 600kVA	1550
	319a	Insulation protection Bender IR423-D43-2	290
NEW	319b	Insulation protection Bender ISORW425-D4W-4 (for sensitive equipment with frequency-controlled drives)	885
	321	Electric cooling water temperature meter (analogue instrument) with sensor	115
	322	Electric oil pressure meter (analogue instrument) with sensor	152
	323a	Manual switch mains/0/generator 160A 4-poles, in metal box, not assembled	565
	323c	Manual switch mains/0/generator 250A 4-poles, in metal box, not assembled	750
	323e	Manual switch mains/0/generator 400A 4-poles, in metal box, not assembled	895
	323g	Manual switch mains/0/generator 800A 4-poles, in metal box, not assembled	1845
	324	Automatic Start/Stop System in case of mains failure (up to EPS250TDE) integrated in generator instead of the standard control panel	on request
	324a	Automatic Start/Stop System in case of mains failure (up to 87kVA 400V - TM = 125A) without standard control panel on generator + 5m of cable	2505
	324b	Automatic Start/Stop System in case of mains failure (up to 111kVA 400V - TM = 120 to 160A) without standard control panel on generator + 5m of cable	3120
	324c	Automatic Start/Stop System in case of mains failure (up to 138kVA 400V - TM = 160 to 200A) without standard control panel on generator + 5m of cable	3120
	324d	Automatic Start/Stop System in case of mains failure (up to 173kVA 400V - TM = 200 to 250A) without standard control panel on generator + 5m of cable	4190
	324e	Automatic Start/Stop System in case of mains failure (up to 277kVA 400V - TM = 250 to 400A) without standard control panel on generator + 5m of cable	5445
	324f	Automatic Start/Stop System in case of mains failure (up to 436kVA 400V - TM = 400 to 630A) without standard control panel on generator + 5m of cable	5530
	324g	Automatic Start/Stop System in case of mains failure (up to 554kVA 400V - TM = 320 to 800A) without standard control panel on generator + 5m of cable	5585
	324h	Automatic Start/Stop System in case of mains failure (up to 692kVA 400V - TM = 400 to 1000A) without standard control panel on generator + 5m of cable	8330
	325a	Remote monitoring (web-based control) by DSE890 for laptop / PC / Smart Phone / Tablet	650
	325b	GSM 3G antenna for option 325a	63
	325c	GPS antenna for option 325a	90
	326	Parallel operation for generators, with or without mains	on request
	327	Air intake preheating 12V or 24V/3kW for Volvo engines TAD5xx/7xx/13xx/16xxGE	495
	328	Oil pan heater 230V	284
NEW	329	Coolant heater 230V/1500W (with 12V thermostat) for generating sets with Iveco NEF N45SM1 engines	680
	329a	Coolant heater 230V/600W (with 12V thermostat) for generating sets with Volvo engines TAD530-733GE	447
	329b	Coolant heater 230V/600W (with 24V thermostat) for generating sets with Volvo engines TAD530-733GE	457
	329c	Coolant heater 230V/600W (with thermostat) for generating sets with Volvo engines TAD734GE	345
	330	Fuel filter heater 12V or 24V (with thermostat)	on request
	332	Spark arrestors (ATEX approved or Non-ATEX approved)	on request
	332b	Chalwyn valve (air intake shut down valve)	on request
	334a	Special RAL color for EPS versions	210
	334b	Extra epoxy primer coating before polyester final coating, for EPS / EPSR versions (silenced)	on request
	335	Spare parts kits	on request

Other options on request

OPTIONS FOR EPSR SILENT RENTAL WATER-COOLED GENERATING SETS WITH IVECO / VOLVO ENGINE		Price in EURO (ex. VAT)
Nr.	Description	
401a	Leroy Somer LSA44.3 alternator protection "system 4" for severe industrial environment, marine outside and coastal area without projections, relative humidity > 95% (for EPSR85/100/130/150TDE)	300
401b	Leroy Somer LSA46.2 alternator protection "system 4" for severe industrial environment, marine outside and coastal area without projections, relative humidity > 95% (for EPSR180/200/250TDE)	558
402a	Leroy Somer LSA44.3 alternator protection "system 6" for corrosive industrial environment, marine environment and coastal area with projections, relative humidity > 95% (for EPSR85/100/130/150TDE)	986
402b	Leroy Somer LSA46.2 alternator protection "system 6" for corrosive industrial environment, marine environment and coastal area with projections, relative humidity > 95% (for EPSR180/200/250TDE)	1552
403	Glass fiber winding (25% derate) for LSA44.3 and LSA46.2	on request
404a	Anti-condensation resistor / space heater in LSA44.3 alternator (for EPSR85/100/130/150TDE)	250
404b	Anti-condensation resistor / space heater in LSA46.2 alternator (for EPSR180/200/250TDE)	258
405	60Hz version	on request
406	Viscous fan clutch for EPSR180/200/250TDE-3A (variable fan speed depending on coolant temperature)	1960
407a	Electronic speed governor "GAC" for EPSR60TDE	1350
407b	Electronic speed governor "EDC4" for EPSR85TDE / EPSR100TDE / EPSR130TDE / EPSR150TDE (Stage 2)	730
408a	24V starting system for EPSR85TDE / EPSR100TDE / EPSR130TDE / EPSR150TDE (Stage 2)	360
408b	12V starting system for EPSR180TDE / EPSR200TDE (Stage 2)	95
409	Remote control, wireless, up to 50m	240
411	Liquid level switch (alarm) in chassis (bund)	85
412a	Price reduction for version without fuel tank	on request
412b	Larger fuel tanks	on request
412c	Automatic fuel tank filling system (from external fuel tank)	on request
413	Three-way cocks for connection to external fuel tank, with quick couplings	360
414	Automatic engine oil level maintainer (Murphy LM500-TF), oil tank included	1236
415a	Battery charger DSE9150 12V 3A (including 230V male socket in control panel)	129
415b	Battery charger DSE9255 24V 5A (including 230V male socket in control panel)	189
417	Battery on/off switch	195
418a	Sensitive residual current monitor: earth leakage protection, type B, Bender RCMA423-D-2 (with measuring current transformer) for 100kVA	990
418b	Sensitive residual current monitor: earth leakage protection, type B, Bender RCMA423-D-2 (with measuring current transformer) for 250kVA	1120
418c	Sensitive residual current monitor: earth leakage protection, type B, Bender RCMA423-D-2 (with measuring current transformer) for 600kVA	1550
419a	Insulation protection Bender IR423-D43-2	290
NEW 419b	Insulation protection Bender ISORW425-D4W-4 (for sensitive equipment with frequency-controlled drives)	885
421	Electric cooling water temperature meter (analogue instrument) with sensor	115
422	Electric oil pressure meter (analogue instrument) with sensor	152
423a	Manual switch mains/0/generator 160A 4-poles, in metal box, not assembled	565
423c	Manual switch mains/0/generator 250A 4-poles, in metal box, not assembled	750
423e	Manual switch mains/0/generator 400A 4-poles, in metal box, not assembled	895
423g	Manual switch mains/0/generator 800A 4-poles, in metal box, not assembled	1845
424	Automatic Start/Stop System in case of mains failure (up to EPSR250TDE) integrated in generator instead of the standard control panel	on request
424a	Automatic Start/Stop System in case of mains failure (up to 87kVA 400V - TM = 125A) without standard control panel on generator + 5m of cable	765
424b	Automatic Start/Stop System in case of mains failure (up to 111kVA 400V - TM = 120 to 160A) without standard control panel on generator + 5m of cable	1655
424c	Automatic Start/Stop System in case of mains failure (up to 138kVA 400V - TM = 160 to 200A) without standard control panel on generator + 5m of cable	1885
424d	Automatic Start/Stop System in case of mains failure (up to 173kVA 400V - TM = 200 to 250A) without standard control panel on generator + 5m of cable	3345
424e	Automatic Start/Stop System in case of mains failure (up to 277kVA 400V - TM = 250 to 400A) without standard control panel on generator + 5m of cable	3945
425a	Remote monitoring (web-based control) by DSE890 for laptop / PC / Smart Phone / Tablet	650
425b	GSM 3G antenna for option 425a	63
425c	GPS antenna for option 425a	90
426	Parallel operation for generators, with or without mains	on request
427	Air intake preheating 12V or 24V/3kW for Volvo engines TAD5xx/7xx/13xx/16xxGE	495
428	Oil pan heater 230V	284
NEW 429	Coolant heater 230V/1500W (with 12V thermostat) for generating sets with Iveco NEF N45SM1 engines	680
429a	Coolant heater 230V/600W (with 12V thermostat) for generating sets with Volvo engines TAD530-733GE	447
429b	Coolant heater 230V/600W (with 24V thermostat) for generating sets with Volvo engines TAD530-733GE	457
429c	Coolant heater 230V/600W (with thermostat) for generating sets with Volvo engines TAD734GE	345
430	Fuel filter heater 12V or 24V (with thermostat)	on request
432a	Spark arrestors (ATEX approved or Non-ATEX approved)	on request
432b	Chalwyn valve (air intake shut down valve)	on request
434a	Special RAL color for EPSR versions	210
434b	Extra epoxy primer coating before polyester final coating, for EPS / EPSR versions (silenced)	on request
435	Spare parts kits	on request

Other options on request

Combinations with automatic start / stop systems in case of mains failure (ASSS) or start on external contact (PDM1/DSE3110)

TYPE	Page in doc.	Price in EURO (ex. VAT)				
		Standard	ASSS incl.	PDM1/DSE3110 incl.		
EP2500E H/S	17	1075	2100	1660	<p style="text-align: center;"><u>Gasoline (Honda + B&S Vanguard) / Standard</u></p> 	
EP4100E H/S	17	1350	2375	1935		
EP6000E H/S	17	1620	2645	2205		
EP6500TE H/S	17	1790	2815	2375		
EP10000E H/MA	17	2795	3660	3380		
EP12000E H/S	17	3195	4060	3780		
EP13500TE H/S	17	2870	3735	3455		
EP16000E VG/S	17	5575	6480	6200		
EP16000TE H/S	17	3295	4160	3880		
EP20000TE VG/S	17	5475	6380	6100		
EP6000E-25 H/S	19	1905	2775	2400		<p style="text-align: center;"><u>Gasoline (Honda) / Semi-silent</u></p>
EP6500TE-25 H/S	19	2155	3025	2650		
EP6000DE Y/S	21	2450	3450	3010		<p style="text-align: center;"><u>Diesel (Yanmar + Hatz) / Standard</u></p> 
EP6000DE HA/S	21	3285	4365	3895		
EP6000TDE Y/S	21	2610	3610	3170		
EP7000TDE HA/S	21	3450	4530	4060		
EPS6000E H/S	23	3875	4475	4195	<p style="text-align: center;"><u>Gasoline (Honda) / Super-silent</u></p>	
EPS6500TE H/S	23	3980	4580	4300		
EPS10000E H/MA	23	4495	5145	4965		
EPS12000E H/S	23	5485	6235	5955		
EPS12000TE H/MA	23	4750	5500	5220		
EPS15000TE H/S	23	5595	6345	6065		
EPS5500DE Y/S	23	4810	5410	5080	<p style="text-align: center;"><u>Diesel (Yanmar + Hatz) / Super-silent</u></p>	
EPS6000DE HA/S	23	5440	6040	5710		
EPS6000TDE Y/S	23	4945	5545	5215		
EPS7000TDE HA/S	23	5625	6225	5895		
EPS73DE KU/S	27	5995	6595	6365	<p style="text-align: center;"><u>Diesel (Kubota) water-cooled 3000rpm / New Boy</u></p>	
EPS83TDE KU/S	27	6115	6715	6485		
EPS103DE KU/MA	27	6390	7990	6760		
EPS113TDE KU/S	27	6485	7085	6855		
EPS123DE KU/S	27	7015	7615	7385		
EPS133TDE KU/S	27	7060	7660	7430		
EPS183TDE KU/MA	27	8240	8770	8540	<p style="text-align: center;"><u>Diesel (Kubota) water-cooled 3000rpm / Super-silent</u></p>	
EPS243TDE KU/MA	27	9925	10455	10225		
EPS9TDE KU/MA	29	8140	8675	8440	<p style="text-align: center;"><u>Diesel (Kubota) water-cooled 1500rpm / Super-silent</u></p> 	
EPS14TDE KU/LS	29	10110	10645	10410		
EPS20TDE KU/LS	29	11270	11805	11570		
EPS34TDE KU/LS	29	14170	14705	Standard		
EPS44TDE KU/LS	29	16485	17470	Standard		

ASSS= Automatic Start/Stop System in case of mains failure, with single phase mains control, supplied in TN-S earthing system, including earth leakage protection and thermal magnetic protection, with 3 meter cable, aut.choke / stop solenoid included

REMARK: no standard control panel on generator (with ASSS). See also pages 13/14.

PDM1/DSE3110 = Automatic Start/Stop System on external contact, aut. choke / stop solenoid included

Europower generating sets with **asynchronous Soga** or **synchronous Soga/GTS** alternator, protection **IP54**, 3000rpm, 50Hz, 4 stroke**IP54**

Article code	TYPE	Price in EURO (ex. VAT)	kVA max.	kVA cont.	Amp.		Engine HONDA (EU Stage)	HP max.	kW max.	cm ³	Tank (l)	Cons. @ 75% load (l/h)	Autonomy @ 75% load (h)	Version	Dimensions (cm)	kg	dB(A) @ 7m	LWA
		Alternator			1 ~ 230V	3 ~ 400V												
400012012	EP3000-IP54	1160 (Soga)	3	2.7	11.7	-	GX200 (V)	5.2	3.8	196	3.1	1.3	2.4	A-F-O-R-TM	65x42x48	52	70	95
400012013	EP3500-IP54	1420 (Soga)	3.5	3.2	13.9	-	GX270 (V)	7.9	5.8	270	5.3	2	2.7	A-F-O-R-TM	67x51x56	64	71	96
SA380	EP6000-IP54	2075 (So)	6	5.5	24	-	GX390 (V)	11.1	8.2	389	6.1	2.4	2.5	A-AVR-F-O-R-TM	77x51x56	93	72	97
SA448	EP8000T-IP54	2100 (So)	8	7.5	11.7	10.8	GX390 (V)	11.1	8.2	389	6.1	2.4	2.5	B-AVR-F-O-R-TM	77x51x56	96	72	97
SA479	EP12000TE-IP54	3275 (So)	12.5	11	17	16	GX630 (V)	19	14	688	20	4.2	4.8	B-AVR-E-F-FPM-h-O-TM	102x55x60	148	75	*

Europower **60Hz** generating sets, **3600rpm****60Hz**

Article code	TYPE	Price in EURO (ex. VAT)	kVA max. (60Hz)	kVA cont.	Amp.	Volt	Engine HONDA (EU Stage)	HP max.	kW max.	cm ³	Tank (l)	Cons. @ 75% load (l/h)	Autonomy @ 75% load (h)	Version	Dimensions (cm)	kg	dB(A) @ 7m	LWA
		Alternator																
SA177	EP2700-60	620 (S)	2.7	2.4	10.4	230	GX160 (V)	4.9	3.6	163	3.1	1.2	2.6	A-F-O-R-Th	58x42x44	37	73	*
SA077	EP3700-60	750 (S)	3.7	3.4	14.8	230	GX200 (V)	5.8	4.3	196	3.1	1.6	1.9	A-F-O-R-Th	58x42x44	42	73	*
SA267	EP4800-60	1020 (S)	4.8	4.3	19	230	GX270 (V)	8.6	6.3	270	5.3	2.4	2.2	A-F-O-R-Th	77x51x56	65	74	*
SA178	EP7200-60	1380 (S)	7.2	6.5	28	230	GX390 (V)	11.8	8.7	389	6.1	2.9	2.1	A-F-O-R-Th	83x51x56	72	78	*

Generators with * cannot be used outdoors in the EU. For applications of generating sets indoors, or if you want to integrate these generators in vehicles, please contact us.

Europower generating sets according to "BG BAU", with **synchronous SOGA or GTS** alternator, protection **IP54**, with insulation protection according to "GW308", 3000rpm, 50Hz, 4 stroke**IP54**

Article code	TYPE	Price in EURO (ex. VAT)	kVA max.	kVA cont.	Amp.		Engine (EU Stage)	HP max.	kW max.	cm³	Tank (l)	Cons. @75% load (l/h)	Auto- nomy @75% load (h)	Version	Dimensions (cm)	kg	dB(A) @ 7m	LWA
		Alternator			1 ~ 230V	3 ~ 400V												
950800400	EP4054	2335 (So)	4	3.6	16	-	Honda GX270 (V)	7.9	5.8	270	5.3	2	2.7	A-AVR-F-IB-LE-LH-O-R-TM	77x51x56	81	71	96
950800401	EP4054E	2775 (So)	4	3.6	16	-	Honda GX270 (V)	7.9	5.8	270	5.3	2	2.7	A-AVR-E-F-IB-LE-LH-O-R-TM	83x51x56	93	71	96
950800600	EP6054	2675 (So)	6	5.4	23	-	Honda GX390 (V)	11.1	8.2	389	6.1	2.4	2.5	A-AVR-F-IB-LE-LH-O-R-TM	77x51x56	96	72	97
950800601	EP6054E	3060 (So)	6	5.4	23	-	Honda GX390 (V)	11.1	8.2	389	6.1	2.4	2.5	A-AVR-E-F-IB-LE-LH-O-R-TM	83x51x56	108	72	97
950800802	EP8054T	2745 (So)	8	7.5	11.7	10.8	Honda GX390 (V)	11.1	8.2	389	6.1	2.4	2.5	B7-AVR-F-IB-LE-LH-O-R-TM	77x51x56	99	72	97
950800803	EP8054TE	3130 (So)	8	7.5	11.7	10.8	Honda GX390 (V)	11.1	8.2	389	6.1	2.4	2.5	B7-AVR-E-F-IB-LE-LH-O-R-TM	83x51x56	122	72	97
950800608	EP6054-25	3255 (So)	6	5.4	23	-	Honda GX390 (V)	11.1	8.2	389	25	2.4	10.4	A-AC-AVR-F-FG-h-IB-LE-LH-O-R-TM-V	90x61x73	110	71	96
950800609	EP6054E-25	3480 (So)	6	5.4	23	-	Honda GX390 (V)	11.1	8.2	389	25	2.4	10.4	A-AC-AVR-E-F-FG-h-IB-LE-LH-O-R-TM-V	90x61x73	122	71	96
950800808	EP8054T-25	3265 (So)	8	7.5	11.7	10.8	Honda GX390 (V)	11.1	8.2	389	25	2.4	10.4	B7-AC-AVR-F-FG-h-IB-LE-LH-O-R-TM-V	90x61x73	113	71	96
950800809	EP8054TE-25	3490 (So)	8	7.5	11.7	10.8	Honda GX390 (V)	11.1	8.2	389	25	2.4	10.4	B7-AC-AVR-E-F-FG-h-IB-LE-LH-O-R-TM-V	90x61x73	125	71	96
940001503	EP15054TE	4945 (GTS)	15	14.4	16	21	Honda GX690 (V)	20	15	688	20	5	4	B18-AIS-AVR-E-F-FPm-h-IB-LE-LH-O-TM	102x55x60	170	75	*
940001508	EPG15054TE	5945 (GTS)	15	12.5	16	18	Honda GX690 (V)	20	15	688	20	5	4	B18-AVR-E-F-FPm-h-IB-LE-LH-O-TM	88x64x70	189	71	96
940001513	EPS15054TE	6945 (GTS)	15	12.5	32	18	Honda GX690 (V)	20	15	688	20	5	4	B6-AVR-E-EC-FPm-h-IB-LE-LH-O-TM-TP-V	138x78x67	245	69	94
947001803	EP20054TE	6690 (GTS)	20	18	32	26	B&S Vanguard 543477 (NE)	28	21	895	41	7	5.9	B4-AVR-E1-F-FG-FPm-h-IB-LE-LH-OP-TM-V	100x64x72	215	79	*
941011313	EPS133TDE-IP54	8395 (GTS)	13.5	12	16	17	Kubota D902 (V)	21	15	898	25	3.5	7.1	B3-AVR-E1-ES-FG-FP-h-IB-LE-MS-ODP-OP-TM-TP-V	138x64x68	360	71	96

Europower generating sets according to **DIN14685** with brushless **synchronous** alternator, **AVR, IP54, 3000rpm, 50Hz, 4 stroke**

Article code	TYPE	Price in EURO (ex. VAT)	kVA max.	kVA cont.	Amp.		Engine B&S / HONDA (EU Stage)	HP max.	kW max.	cm³	Tank (l)	Cons. @75% load (l/h)	Auto-nomy @75% load (h)	Version	Dimensions (cm)	kg	dB(A) @ 7m	LWA
		Alternator			1 ~ 230V	3 ~ 400V												
952990502	EPDIN6500T	5560 (So)	6.5	6	26	8.7	B&S Vanguard 296442 (V)	14	10.2	480	8	2.8	2.9	BDIN1-AVR-ET-F-FG-FPm-h-LH-OP-PI-R-TB-TE-TM-V-W	70x44x58	106	74	*
952990503	EPDIN6500TE	5750 (So)	6.5	6	26	8.7	B&S Vanguard 296447 (V)	14	10.2	480	8	2.8	2.9	BDIN1-AVR-E-ET-F-FG-FPm-h-LH-OP-PI-R-TB-TE-TM-V-W	70x44x58	116	74	*
952990802	EPDIN8500T	5680 (So)	8.5	8	34	11.5	B&S Vanguard 356442 (V)	16	12	570	10	3.8	2.6	BDIN1-AVR-ET-F-FG-FPm-h-LH-OP-PI-R-TB-TE-TM-V-W	82x44x58	130	74	*
952990803	EPDIN8500TE	5910 (So)	8.5	8	34	11.5	B&S Vanguard 356447 (V)	16	12	570	10	3.8	2.6	BDIN1-AVR-E-ET-F-FG-FPm-h-LH-OP-PI-R-TB-TE-TM-V-W	82x44x58	140	74	*
950990903	EPDIN9000TE	5740 (So)	9	8	34	11.5	Honda GX630 (V)	19	14	688	10	3.8	2.6	BDIN1-AVR-E-ET-F-FG-FPm-h-LH-O-PI-TB-TE-TM-V-W	82x44x58	141	74	*
952991303	EPDIN13000TE	6390 (So)	12.5	12	48	17	B&S Vanguard 386447 (NE)	20	15	627	10	4.5	2.2	BDIN1-AVR-E-ET-F-FG-FPm-h-LH-OP-PI-R-TB-TE-TM-V-W	82x44x58	150	74	*
950991303	EPDIN13500TE	5960 (So)	13.5	12	48	17	Honda GX630 (V)	19	14	688	10	4.5	2.2	BDIN1-AVR-E-ET-F-FG-FPm-h-LH-O-PI-TB-TE-TM-V-W	82x44x58	150	74	*
940991603	EPDIN16000TE	6890 (GTS)	16	14.5	48	21	Honda GX690 (V)	20	15	688	10	5	2	BDIN2-AVR-E-ET-F-FG-FPm-h-LH-O-PI-TB-TE-TM-V-W	82x44x58	162	74	*

Generators with * are not compliant with DIN14685-1 and cannot be used outdoors in the EU. For applications of generating sets indoors, or if you want to integrate these generators in vehicles, please contact us.

OPTIONS for EUROPOWER DIN14685 / DIN14685-1 generating sets			Price in EURO (ex. VAT)
Nr.	Description		
DIN0	RECOIL STARTER FOR GX630-GX690		280
DIN1	EARTH LEAKAGE PROTECTION 3 x 400 V (30 mA) (only possible with thermal magnetic breakers with C-characteristic)		195
DIN2	EARTH PIN WITH 4 METER EARTH-CABLE 16 mm²		36
DIN3A	INSULATION PROTECTION "IB-Protector" 400 V with power relay		355
DIN3B	INSULATION PROTECTION "IB-Protector" 400 V without power relay		235
DIN3C	INSULATION PROTECTION BENDER (IR423-D43-2) 400 V with optical and acoustical warning, with power relay (required to comply with DIN14685-1)		710
DIN4	EMERGENCY STOP		23
DIN5	ELECTRIC CHOKE (only for GX630/GX690)		245
DIN6	12 V DC BATTERY CHARGE CONNECTOR		90
DIN7	12 V DC EXTERNAL BATTERY CONNECTOR		140
DIN8	PHASE SEQUENCE SWITCH		100
DIN9	EXTRA SOCKET 5P 400V (without separate thermal magnetic protection)		102
DIN10	3-WAY FUEL COCK WITH QUICK COUPLINGS FOR CONNECTION TO EXTERNAL TANK (required to comply with DIN14685-1)		95
DIN11	KIT JERRYCAN 20 L with jerrycan cap and fuel hose (without quick couplings)		72
DIN12	FLEXIBLE EXHAUST TUBE 1,5m following DIN14572 - 50x1500 (adapter for muffler included)		195
DIN13	PROTECTION COVER (RED or YELLOW)		195
DIN14	SPECIAL RAL COLOR FOR EPDIN VERSIONS (standard colours are: yellow and red, stock colour is yellow)		210

P.T.O. three-phase tractor alternators IP23

IP 23

1. Three-phase synchronous brushes alternators - 2 poles - 3000rpm - cosφ 0.8

Three-Phase	50Hz	Sincro alternator	Tractor HP on PTO *	Power Take Off	Weight	Control panel	Price in EURO (ex. VAT)
TYPE	kVA		HP max.	rpm	kg		
AWT2-13	13,5	FT2MES	27	430	116	AT01	1655
AWT2-16	16	FT2MFS	32	430	125	AT01	1710
AWT2-22	22	GT2MA	45	430	144	AT02	2140
AWT2-27	27	GT2MB	53	430	149	AT03	2295
AWT2-31	31,5	GS2LA	62	430	189	AT03	2785
AWT2-38	38	GS2LB	73	430	205	AT03	2925

2. Three-phase synchronous brushes alternators - 4 poles - 1500rpm - cosφ 0.8

Three-Phase	50Hz	Sincro alternator	Tractor HP on PTO *	Power Take Off	Weight	Control panel	Price in EURO (ex. VAT)
TYPE	kVA		HP max.	rpm	kg		
AWT4-17	17,5	GT4MA	35	430	146	AT02	2225
AWT4-22	22	GT4MB	43	430	157	AT02	2460
AWT4-27	27	GT4LA	52	430	200	AT03	2840
AWT4-30	30	GT4LB	57	430	215	AT03	3080

3. Brushless three-phase synchronous alternators with AVR - 4 poles - 1500rpm - cosφ 0.8

Three-Phase	50Hz	Sincro alternator	Tractor HP on PTO *	Power Take Off	Weight	Control panel	Price in EURO (ex. VAT)
TYPE	kVA		HP max.	rpm	kg		
AWB4-17	17,5	HB4SB	35	430	177	AT05	2685
AWB4-22	22	HB4CA	44	430	190	AT05	2795
AWB4-25	25	IB4SA	49	430	205	AT06	2885
AWB4-30	30	IB4SB	59	430	228	AT06	3060
AWB4-36	36	IB4MA	69	430	245	AT06	3545
AWB4-45	45	IB4MB	80	430	258	AT06	3700
AWB4-50	50	IB4LA	93	430	298	AT07	4180
AWB4-65	65	SK225SM	118	400	335	AT07	5560
AWB4-80	80	SK225MS	139	400	362	AT07	6145
AWB4-93	93	SK225MM	165	400	382	AT07	6915

* min. suggested tractor HP on PTO, for 50Hz and at specified PTO rpm.

Options	Price in EURO (ex. VAT)
Over and under voltage protection mounted on the PTO as from 27kVA	267
60Hz/3600rpm/1800rpm instead of 50Hz/3000rpm/1500rpm	on request
Special control panels on demand	on request

Control panel

TYPE

AT01 1 CEE socket 230V - 16A - 3 poles + 1 CEE socket 400V - 32A - 5 poles + earth leakage breaker (30mA) and 4 poles thermal magnetic breaker + single phase thermal protection + voltmeter + frequency meter

AT02 1 CEE socket 230V - 16A - 3 poles + 1 CEE socket 400V - 32A - 5 poles + earth leakage breaker (30mA) and 4 poles thermal magnetic breaker and 2 poles thermal magnetic breaker + V/A/Hz-meter + h-counter

AT03 1 CEE socket 230V - 16A - 3 poles + 1 CEE socket 400V - 63A - 5 poles + earth leakage breaker (30mA) and 4 poles thermal magnetic breaker and 2 poles thermal magnetic breaker + V/A/Hz-meter + h-counter

AT04 1 schuko socket 230V - 16A + 1 CEE socket 230V - 16A - 3 poles + 1 CEE socket 400V - 32A - 5 poles + earth leakage breaker (30mA) and 4 poles thermal magnetic breaker + 2 single phase thermal protections + V/A/Hz-meter + h-counter

AT05 1 schuko socket 230V - 16A with thermal protection + 1 CEE socket 230V - 32A - 3 poles + 1 CEE socket 400V - 32A - 5 poles + earth leakage breaker (30mA) and 4 poles and 2 poles thermal magnetic breaker + V/A/Hz-meter + h-counter

AT06 1 schuko socket 230V - 16A + 1 CEE socket 230V - 32A - 3 poles + 1 CEE socket 400V - 63A - 5 poles + earth leakage breaker (30mA) and 4 poles and 2 poles thermal magnetic breaker + single phase therm. prot. + V/A/Hz-meter + h-counter

AT07 1 schuko socket 230V - 16A + 1 CEE socket 230V - 32A - 3 poles + 1 CEE socket 400V - 125A - 5 poles + earth leakage breaker (30mA) and 4 poles and 2 poles thermal magnetic breaker + single phase therm. prot. + V/A/Hz-meter + h-counter



Special control panels

P.T.O. three-phase tractor alternators IP44

IP 44

1. Three-phase synchronous brushes alternators - 2 poles - 3000rpm - cosφ 0.8

Three-Phase	50Hz	Sincro alternator	Tractor HP on PTO *	Power Take Off	Weight	Control panel	Price in EURO (ex. VAT)
TYPE	kVA		HP max.	rpm	kg		
AWT2-12X	12,1	FT2MES	24	430	117	AT01	1800
AWT2-14X	14,4	FT2MFS	28	430	126	AT01	1860
AWT2-19X	19,8	GT2MA	40	430	147	AT02	2250
AWT2-24X	24,3	GT2MB	48	430	152	AT02	2405
AWT2-28X	28,3	GS2LA	55	430	192	AT03	2895
AWT2-34X	34,2	GS2LB	65	430	208	AT03	3040

2. Three-phase synchronous brushes alternators - 4 poles - 1500rpm - cosφ 0.8

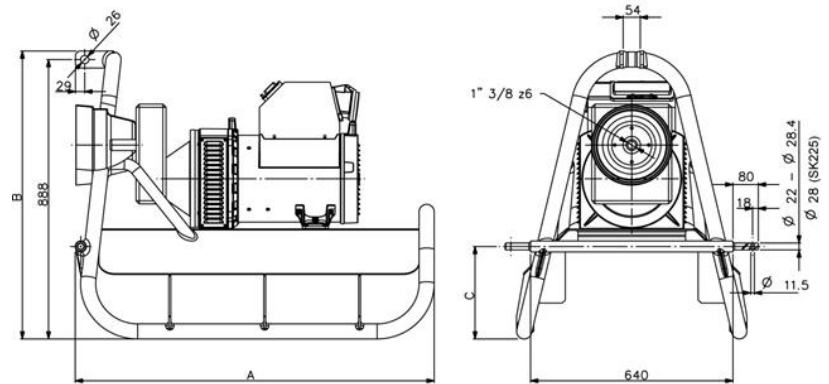
Three-Phase	50Hz	Sincro alternator	Tractor HP on PTO *	Power Take Off	Weight	Control panel	Price in EURO (ex. VAT)
TYPE	kVA		HP max.	rpm	kg		
AWT4-15X	15,7	GT4MA	31	430	149	AT02	2430
AWT4-19X	19,2	GT4MB	39	430	160	AT02	2665
AWT4-24X	24,3	GT4LA	46	430	203	AT02	2950
AWT4-27X	27	GT4LB	50	430	218	AT03	3195

3. Brushless three-phase synchronous alternators with AVR - 4 poles - 1500rpm - cosφ 0.8

Three-Phase	50Hz	Sincro alternator	Tractor HP on PTO *	Power Take Off	Weight	Control panel	Price in EURO (ex. VAT)
TYPE	kVA		HP max.	rpm	kg		
AWB4-15X	15,8	HB4SB	32	430	180	AT05	2880
AWB4-19X	19,8	HB4CA	39	430	192	AT05	2985
AWB4-22X	22,5	IB4SA	44	430	208	AT06	3085
AWB4-27X	27	IB4SB	53	430	230	AT06	3140
AWB4-32X	32,4	IB4MA	61	430	248	AT06	3705
AWB4-40X	40,5	IB4MB	72	430	261	AT06	3865
AWB4-45X	45	IB4LA	83	430	301	AT06	4325
AWB4-58X	58,5	SK225SM	105	400	339	AT07	5715
AWB4-72X	72	SK225MS	124	400	366	AT07	6300
AWB4-83X	83,7	SK225MM	147	400	386	AT07	7065

* min. suggested tractor HP on PTO, for 50Hz and at specified PTO rpm.

		Price in EURO (ex. VAT)
Options	Over and under voltage protection mounted on the PTO as from 27kVA	267
	60Hz/3600rpm/1800rpm instead of 50Hz/3000rpm/1500rpm	on request
	Special control panels on demand	on request



TYPE	A (mm)	B (mm)	C (mm)
FT / GT / FB	929	915	294
GS / HB / IB	1135	915	294
SK225	1204	923	324,5



Bunded Diesel Fuel Tanks - IBCs, with VlareM/KIWA/UN/ADR/RID/IMDG approval



Content IBC (Liter)	Dimensions l x w x h (mm)	A Standard painted	B Generator painted	Surcharge galvanised
		Price in EURO (ex. VAT)		
500	1205x1192x1054	2705	3005	260
700	1440x1192x1054	2845	3145	260
995	1560x1192x1260	2995	3295	335
1150	1736x1192x1260	3490	3790	410
1600	2276x1192x1260	3810	4110	540
2200	2306x1192x1510	4275	4575	540
3000	3086x1192x1510	5255	5555	995
3000HC	2306x1192x1810	5020	5320	925
3000CL	2306x1512x1510	5125	5425	910

Energy Tender+ -version is standard with filling opening 2 1/2", level indication tube 1 1/2", suction pipe 1", spare socket 2", ventilation with leakage security, probe in 1" socket, stackable (filled), 4 lifting points, forklift pockets on 4 sides
 Energy Tender+ Generator -version is Energy Tender+ -version, including content meter and 2 x 1/2" generator connection (suction + return), both with ball valve

General technical specifications:

Complies with VlareM 2 and international traffic norms VLG/ADR. Delivered with VlareM prototype approval (by AIB-Vinçotte), UN approval and logbook. All IBCs come with pump storage room (30cm), with overturn safety and with overflow-protection. Material thickness 3mm. Removable inner tank.



Pumps for IBCs (except for HC models)

Manual diesel pumps

Manual pump K3, 60 Liter/min.

Electrical diesel pumps

12V, 85 Liter/min.
 24V, 85 Liter/min.
 Duo 12V-30 Liter/min. and 24V-50 Liter/min.
 230V 56 Liter/min.
 230V 72 Liter/min.
 230V 100 Liter/min.

Double diesel pumps

K3 + 12V-85 Liter/min.
 K3 + 24V-85 Liter/min.
 K3 + Duo 12/24V-30/50 Liter/min.
 K3 + 230V-56 Liter/min.

Accessories

K33 mechanical counter (3 digits)
 K24 diesel digital counter (4 digits)
 Metal grid on floor of pump storage room
 Integrated stainless steel AdBlue tank 60 Liter, for Energy Tender+ 995
 Integrated stainless steel AdBlue tank 200 Liter, for Energy Tender+ 1150 to 3000
 Electrical pump AdBlue 12V, 30 Liter/min.
 Electrical pump AdBlue 24V, 30 Liter/min.
 Electrical pump AdBlue 230V, 30 Liter/min.
 K24 AdBlue digital counter (4 digits)

Price in EURO (ex. VAT)
545
750
750
575
495
680
785
1030
1030
870
780
170
190
75
1095
1400
515
515
525
185

All diesel pumps are with 5m fuel hose 1" and automatic nozzle, with fuel filter.
 All AdBlue pumps are with 4m hose and manual nozzle.

Legend



Sockets

A	2 sockets 230V - 16A
A0	1 socket 230V - 16A
A1	1 socket 230V - 16A + 2 sockets CEE 230V - 16A
A2	1 socket 230V - 16A + 1 socket CEE 230V - 32A
A3	1 socket 230V - 16A + 1 socket CEE 230V - 16A + 1 socket CEE 230V - 32A
A4	1 socket 230V - 16A + 2 sockets CEE 230V - 32A
A5	1 socket 230V - 16A + 1 socket CEE 230V - 63A
A6	1 socket 230V - 16A + 1 socket CEE 230V - 16A + 1 socket CEE 230V - 32A + 1 socket CEE 230V - 63A
A7	2 sockets 230V - 16A + 1 socket CEE 230V - 32A
A8	2 sockets 230V - 16A + 1 socket CEE 230V - 16A + 1 socket CEE 230V - 32A
A9	2 sockets 230V - 16A + 1 socket CEE 230V - 16A
A10	2 socket 230V - 16A + 1 socket CEE 230V - 16A + 2 socket CEE 230V - 32A + 1 socket CEE 230V - 63A
A11	1 socket 230V - 16A + 1 socket CEE 230V - 16A
B	1 socket 230V - 16A + 1 socket CEE 400V - 16A 5 p.
B1	2 sockets CEE 42V - 200 Hz - 32A 3 p.
B2	4 sockets CEE 42V - 200 Hz - 16A 3 p.
B3	1 socket 230V - 16A + 1 socket CEE 230V - 16A + 1 socket CEE 400V - 16A 5 p.
B4	1 socket 230V - 16A + 1 socket CEE 230V - 32A + 1 socket CEE 400V - 32A 5 p.
B5	2 sockets 230V - 16A + 1 socket CEE 230V - 16A + 1 socket CEE 230V - 32A + 1 socket CEE 400V - 16A 5 p. + 1 socket CEE 400V - 32A 5 p.
B6	1 socket 230V - 16A + 1 socket CEE 230V - 32A + 1 socket CEE 400V - 16A 5 p.
B7	2 sockets 230V - 16A + 1 socket CEE 400V - 16A 5 p.
B8	1 socket 230V - 16A + 1 socket CEE 230V - 32A + 2 sockets CEE 400V - (32A 5 p. + 125A 5 p.)
B9	2 sockets 230V - 16A + 1 socket CEE 230V - 16A + 1 socket CEE 400V - 16A 5 p.
B10	1 socket 230V - 16A + 2 sockets CEE 230V - 16A + 1 socket CEE 400V - 16A 5 p.
B11	2 sockets 230V - 16A + 1 socket CEE 230V - 16A + 1 socket CEE 230V - 32A + 1 socket CEE 400V - 16A 5 p.
B12	1 socket CEE 230V - 63A + 1 socket CEE 400V - 63A 5 p.
B13	1 socket 230V - 16A + 1 socket CEE 230V - 63A + 1 socket CEE 400V - 63A 5 p.
B14	2 sockets 230V - 16A + 1 socket CEE 230V - 16A + 1 socket CEE 230V - 32A + 1 socket CEE 400V - 32A 5 p. + 1 socket CEE 400V - 63A 5 p.

B15	1 socket 230V - 16A + 1 x CEE 230V - 16A + 1 x CEE 230V - 32A + 1 x CEE 400V - 16A 5 p. + 1 x CEE 400V - 32A 5 p. + 1 x CEE 400V - 63A 5 p. + 1 x CEE 400V - 125A 5 p.
B16	1 socket 230V - 16A + 1 x CEE 230V - 16A + 1 x CEE 230V - 32A + 1 x CEE 230V - 63A + 1 x CEE 400V - 16A 5 p. + 1 x CEE 400V - 32A 5 p. + 1 x CEE 400V - 63A 5 p. + 1 x CEE 400V - 125A 5 p.
B17	1 socket CEE 230V - 16A + 1 socket CEE 400V - 16A 5 p.
B18	3 sockets 230V - 16A + 1 socket CEE 400V - 16A 5 p.
BDIN1	1 socket CEE 400V - 16A 5 p. IP67 + 3 Schuko sockets (DIN49442) 230V - 16A 3 p. IP68
BDIN2	1 socket CEE 400V - 32A 5 p. IP67 + 3 Schuko sockets (DIN49442) 230V - 16A 3 p. IP68

Version

AC	Automatic choke (for temperatures > 0°C)
AIS	ECO-Throttle (Automatic Idle System)
Amp1	1 Amperemeter
Amp3	3 Amperemeters
AREP	Alternator Regulation Excitation Polymorphic
AVR	Automatic voltage regulator
BFT	Bunded fuel tank
CLS	Low coolant level switch
DC12	12V DC Battery Charger
DC24	24V DC Battery Charger
DH	Document holder
DS	Dual speed with economy switch
DSE	Deep Sea Electronics module DSE4520 up to 275kVA and DSE7420 as of 300kVA
E	Electric start, battery included (battery acid not included)
E1	Electric start, maintenance free battery included
EnB	Electric start, battery not included
EC	Electric choke
Erpm	Electronic speed governor
ES	Emergency stop
ET	Earth tester with pilot lamp
F	Frame
FG	Mechanical fuel level meter
FH	Integrated forklift holes
FI	Earth leakage protection 30mA
FI2	Earth leakage protection 30mA without earth pin
FI4	Earth leakage protection 30mA with earth pin and 4m earth cable

FIA	Earth leakage protection 30mA-30A, adjustable, with earth pin and 4m earth-cable
FLM	Fuel level meter
FP	Fuel pump 12V
FPM	Membrane fuel pump
FFPM	Manual fuel feed pump
GALV	Galvanised chassis with forklift holes and 20 mm bumper
h	Hour counter
Hz	Frequency meter
IB	Insulation protection
LE	Central lifting eye
LFLS	Low fuel level switch
LFLS2	Double low fuel level switch (alarm + shut down)
LH	4 Lifting handles
LS2	Leroy Somer alternator System 2 for tropical environment
M	Muffler (not mounted on the engine) + flange (supplied loose)
MS	Magneto-Stop
O	Oil guard
ODP	Oil drain pump
OL	Low oil pressure control lamp
OP	Low oil pressure guard
P	Portable
PAI	Preheating air intake
PC	5 Powersafe power connectors
PI	Illuminated control panel
R	Recoil starter
T+	Mecc Alte alternator Total+ for tropical environment
TB	Tool box with spare parts
TC	Terminal power connection
TE	Securing eyes for transportation
Th	Circuit breaker
TM	Thermal magnetic breaker
TM1	Thermal magnetic breaker, with tripping coil (not connected)
TM2	Thermal magnetic breaker with tripping coil and with individual thermal magnetic breakers on each socket
TP	High temperature security
V	Voltmeter
VF	Viscous fan clutch
VS	Voltmeter selector switch
W	Power meter with maximum indication
WS	Water separator
WSFP	Water separator / Fuel prefilter
Y	E1+FP+h+MS+OP+TM+TP+V
Z	AMP+AVR+BFT+ES+FH+FLM+Hz+IB+LE+LFLS+PI